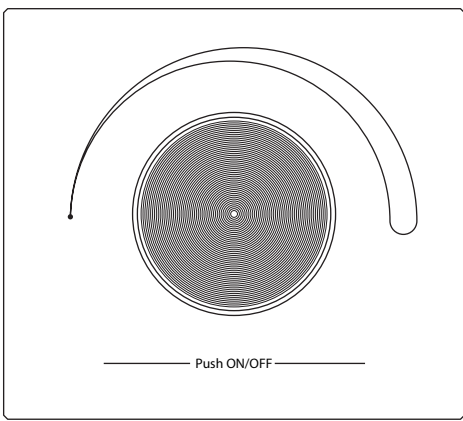
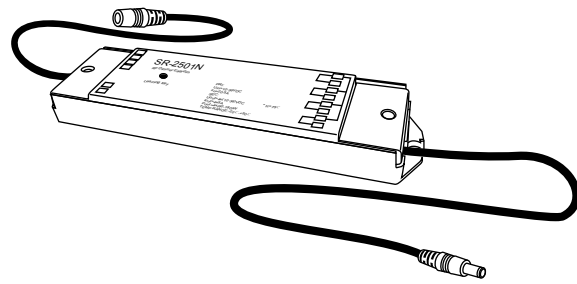


Installation Instructions

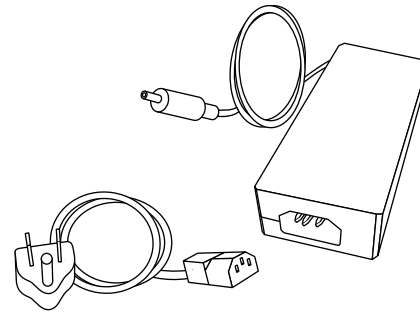
RM 200 / 250



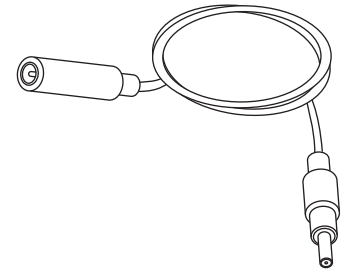
RM 200 Dimmer



RM 200 Receiver



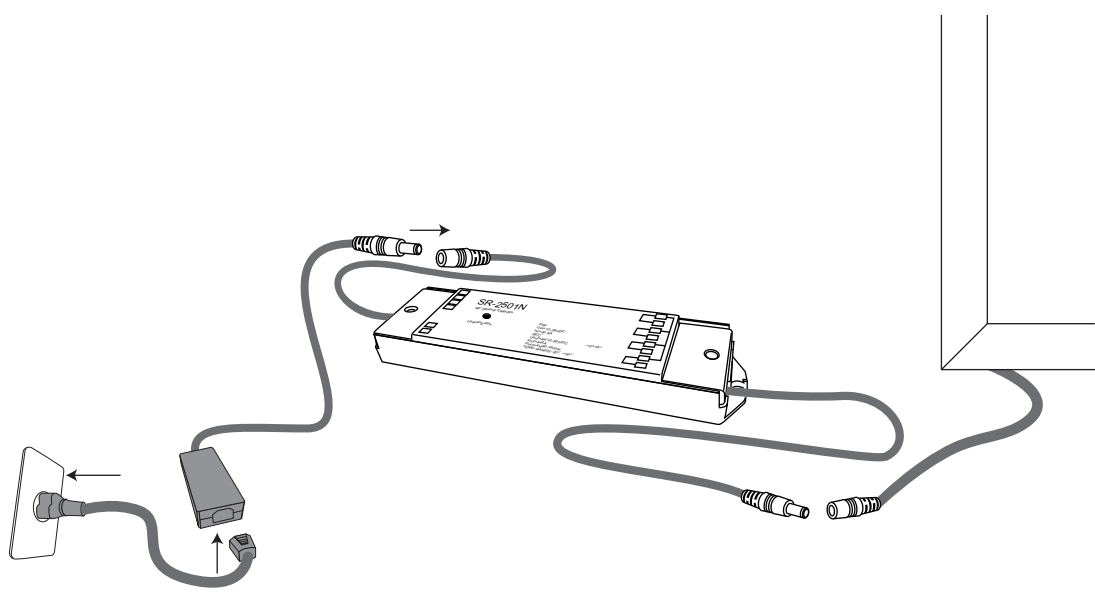
Power Supply



5' Power Extension Cord

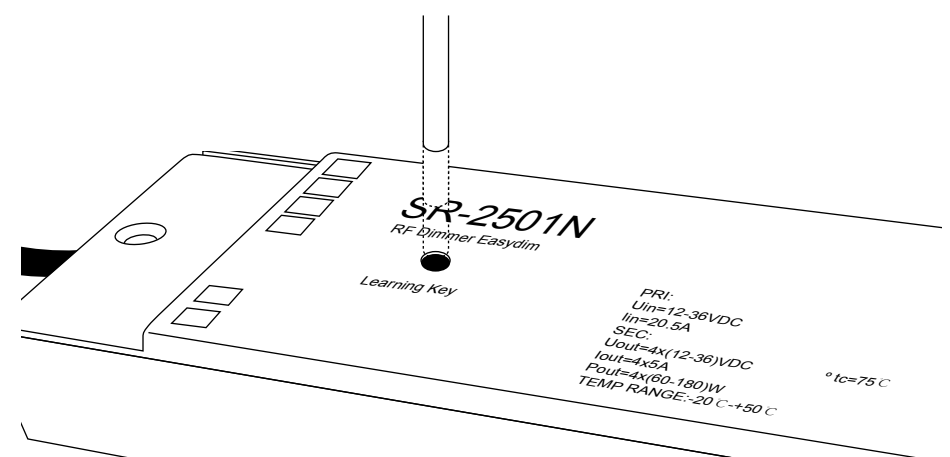
Connect the light

1. Connect to Power Supply and Light.

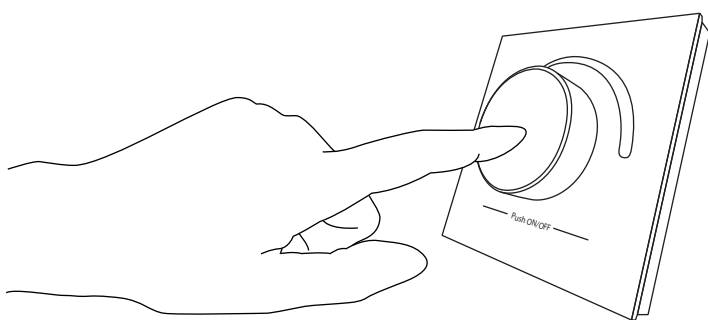


2. Press the Learning Key shortly.

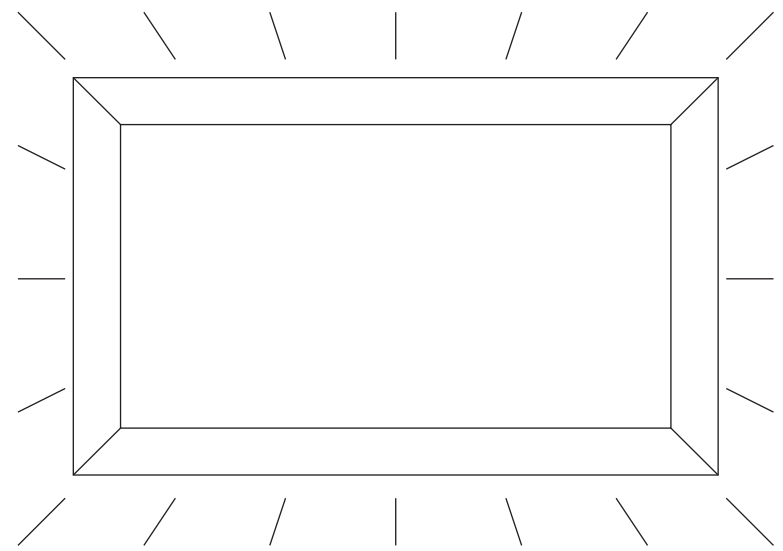
To reset the receiver: Push the Learning Key for 10 seconds, until the light turns on. (You must have power connected to the receiver)



3. Press the rotary button (After loosen Learning Key).

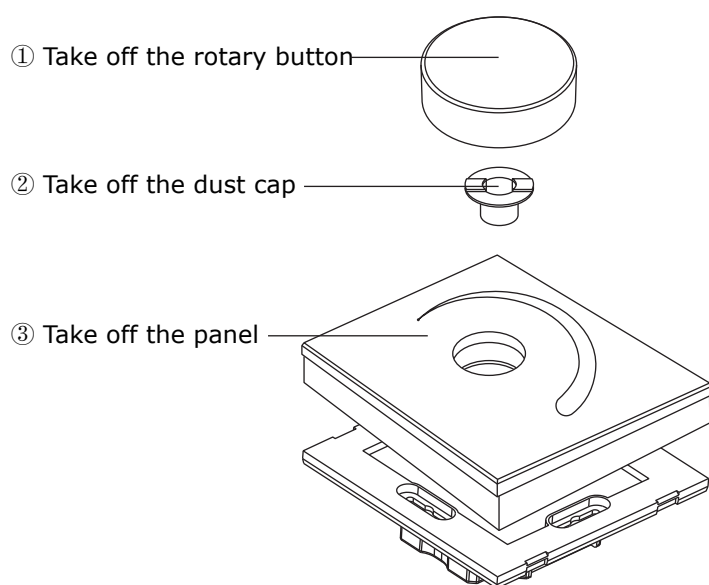


4. Light blink, the remote controller is now connected

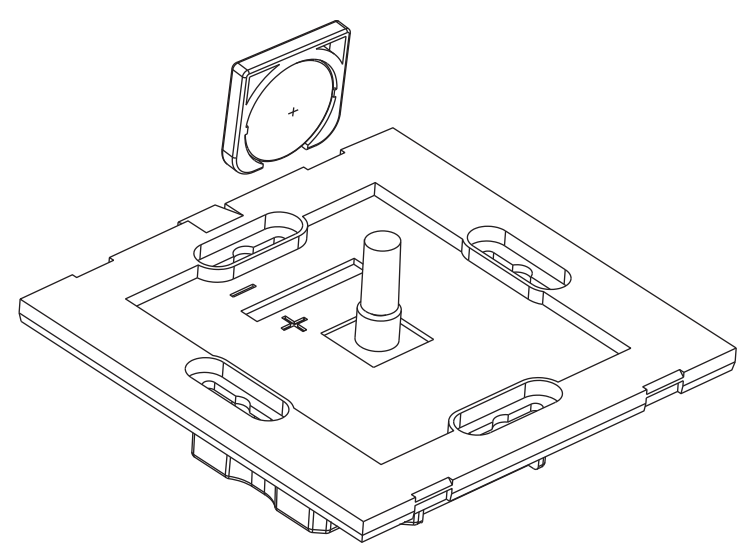


Change the Battery (For RM 200)

1. Open the dimmer

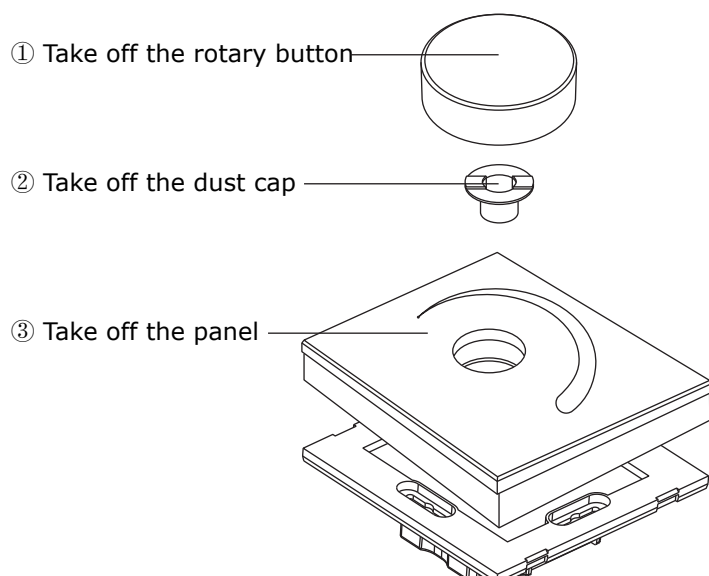


2. Put the battery into jar, be careful the Plus-n-Minus.



Install on wall (For RM 200)

1. Open the dimmer



2. Use screws to fix the baseboard. Then install back everything.

