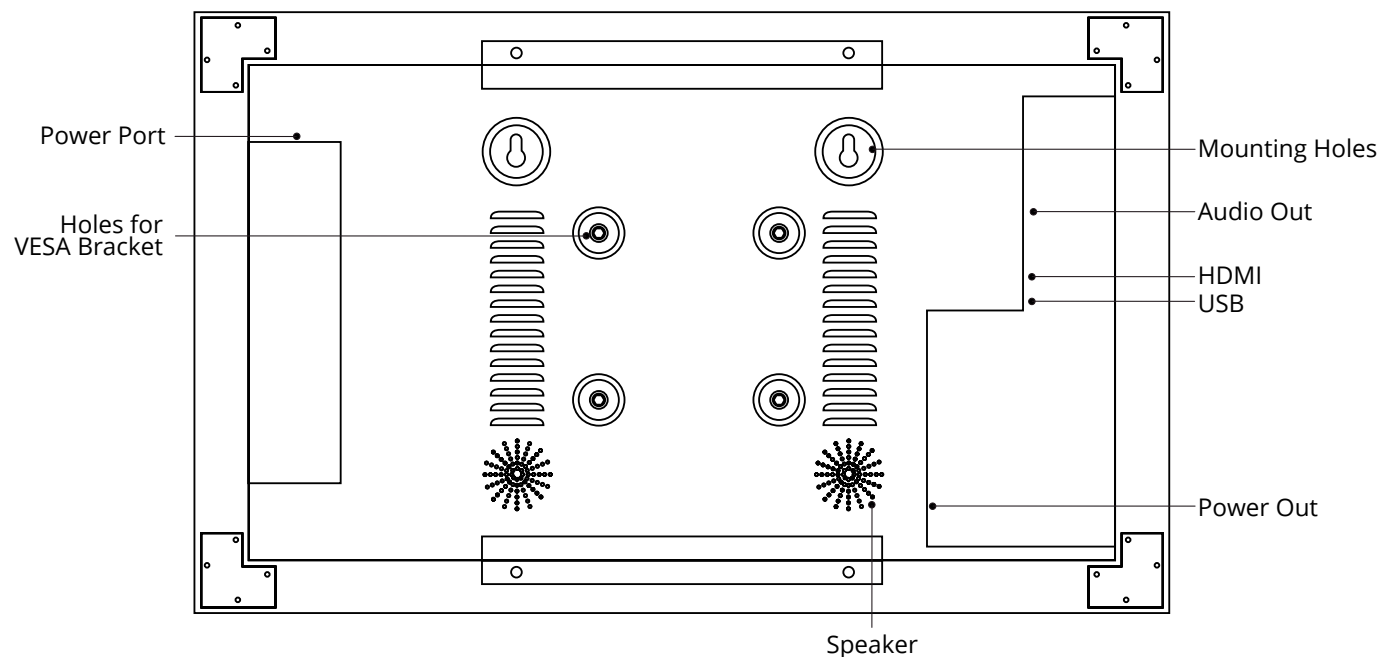
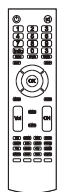


Parts

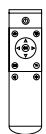
Back of Decovue



Accessories



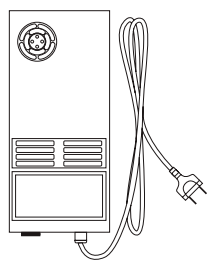
Evervue Remote



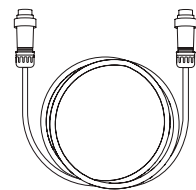
Smart TV Remote



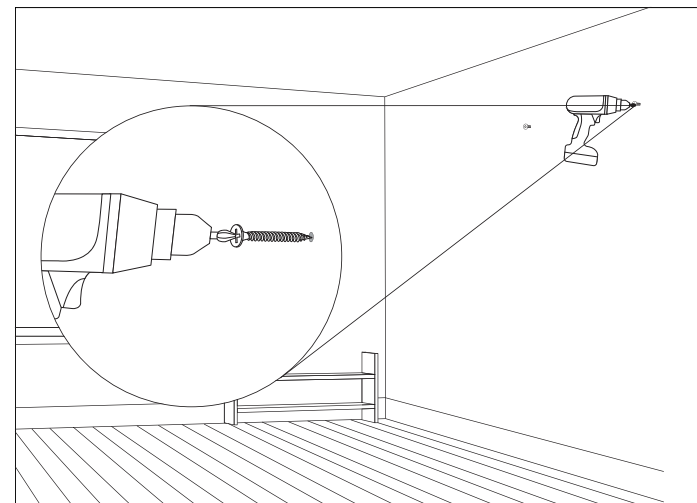
Allen Key



24V13.5A power supply

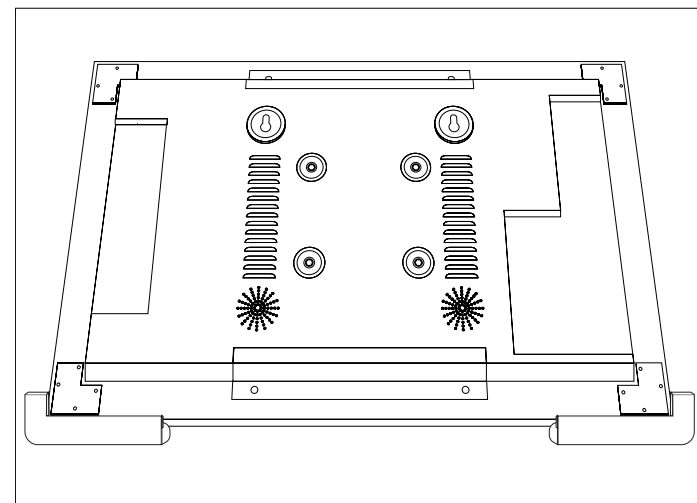


3m Power Cable



2 Install screws on the Wall

Plan where you're going to install your TV. Drill screws into the areas where your mounting holes would be.

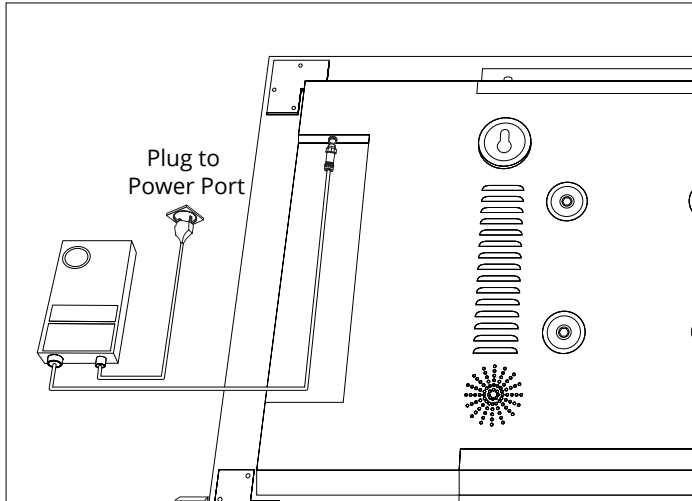


3 Lay the TV on Flat Padded Surface

Lay the TV down on a flat, soft surface to avoid damages or scratches.

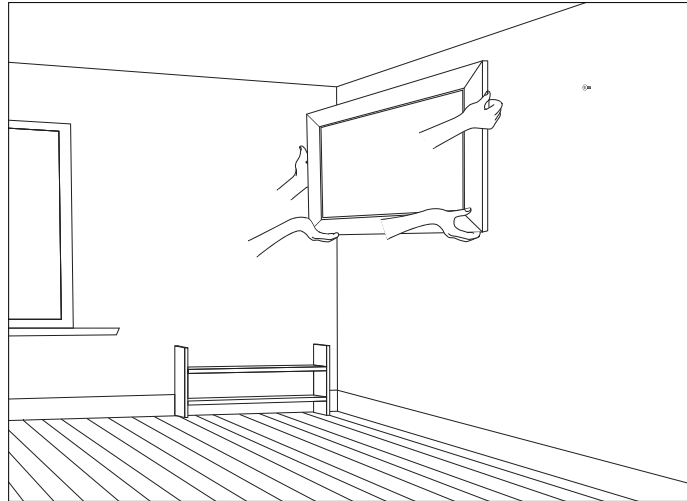
1 Unboxing

Upon receiving your order, open the crate and inspect the contents. Damages must be reported within 24 hours.



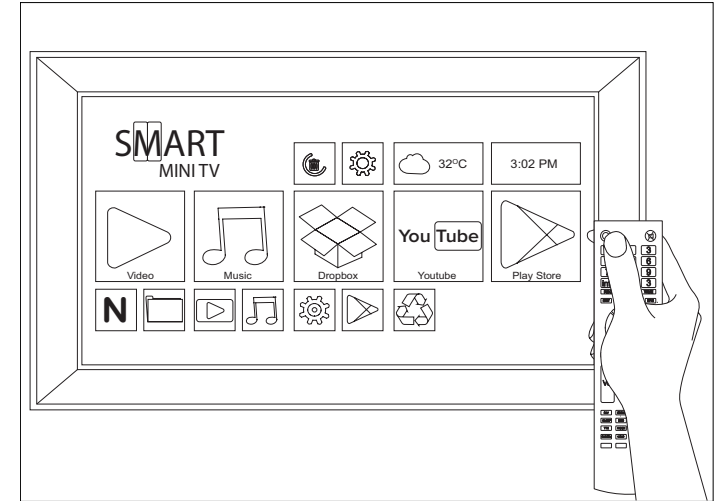
4 Plug Power Cord

Connect the power supply to the power input port located at the back of the TV and plug the other end to your power source.



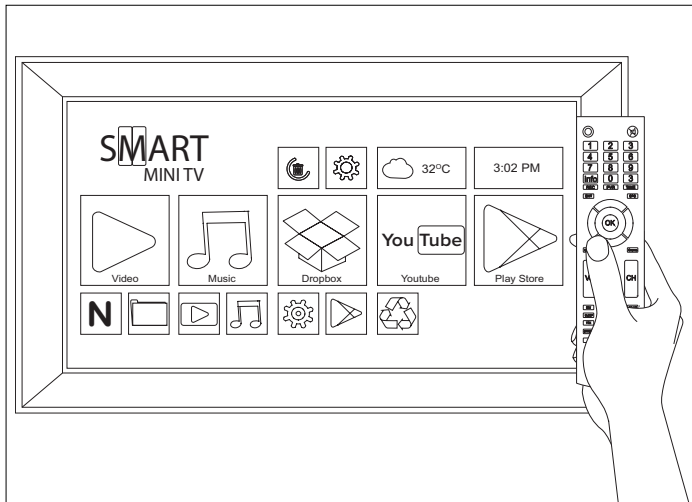
5 Hang TV on the Wall

Carefully lift the TV and hang it on the two screws you installed on the wall.



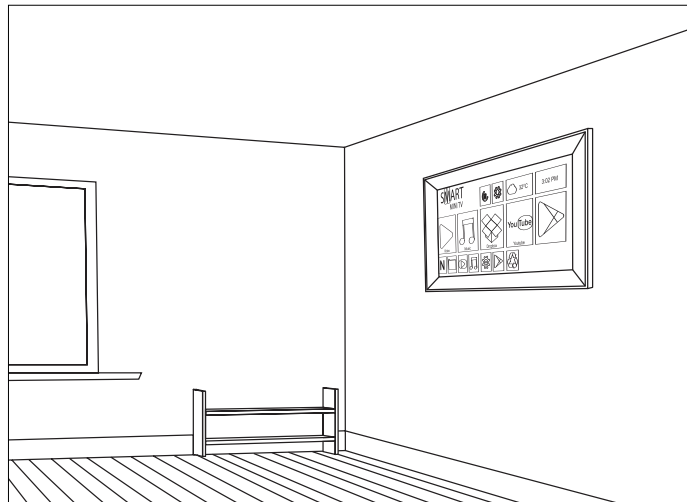
6 Turn the TV on

Press the power button on the upper left side of the Evervue remote control.



7 Select Source

Press the "Source" button on the Evervue Remote. On the menu that would pop up on the upper right side of the screen, highlight "HDMI 1." Then press "Enter."



8 Done

Your Decovue TV is ready to use.