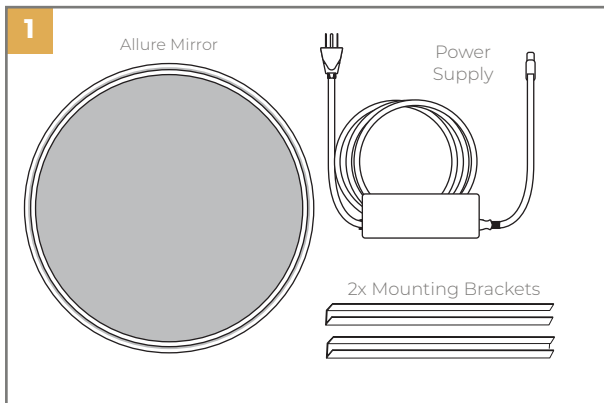


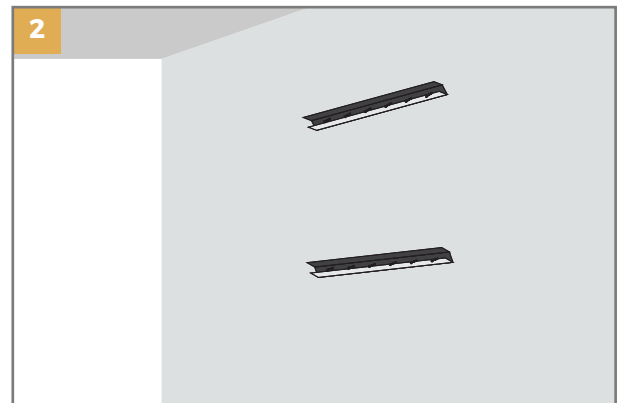
ALLURE MIRROR

Installation Manual



Check the items after receiving

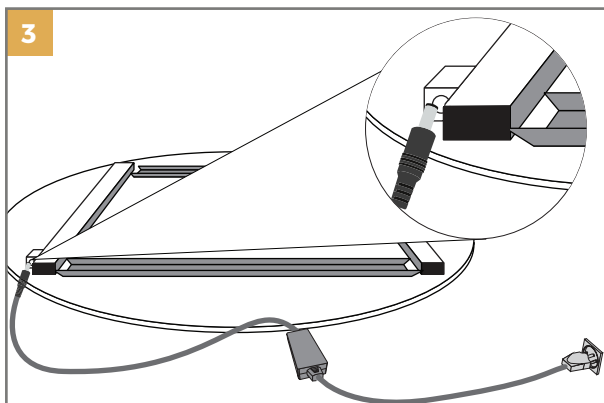
Before installing, check to ensure that you have received all the package contents.



Screw the two brackets to the wall.

Ensure the wall is correctly prepared for installation. Determine the type of screws or bolts needed for the wall surface you are mounting to. Drill holes into the brackets and screw them to the wall.

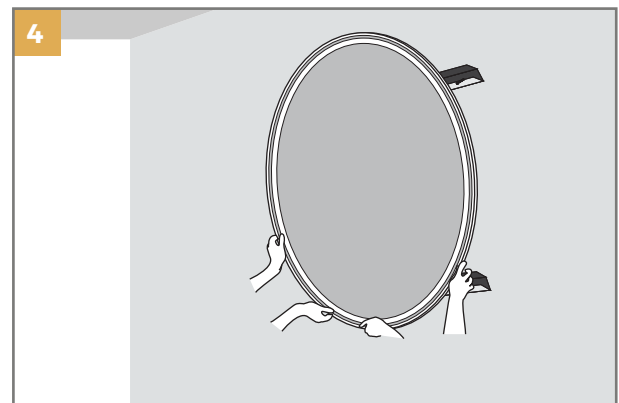
(Note: It is the installer's responsibility that all electrical, audio/visual, and framing construction is code compliant.)



Plug and test.

Lay the Allure flat on a padded surface to connect the cable to the ports. Then lift the mirror up. Test the power source first.

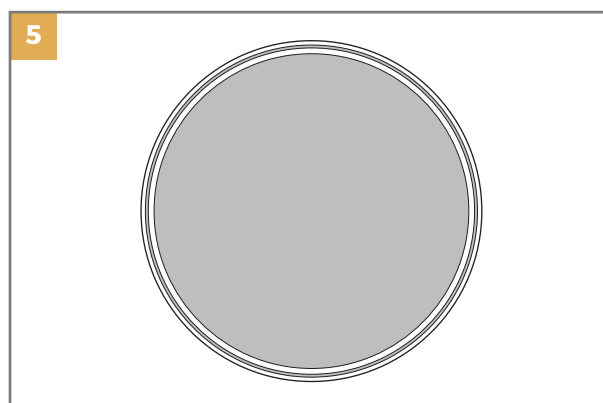
(Note: Please make sure that the mirror glass is protected during the execution of this step.)



Hang the mirror up.

Hang the Allure on the wall. Then carefully lift the mirror and attach the brackets on the back of the mirror to the brackets installed on the wall.

(Note: It is recommended that 3 or more people assist in the installation of this mirror.)



Finished.

Enjoy your new Allure mirror.