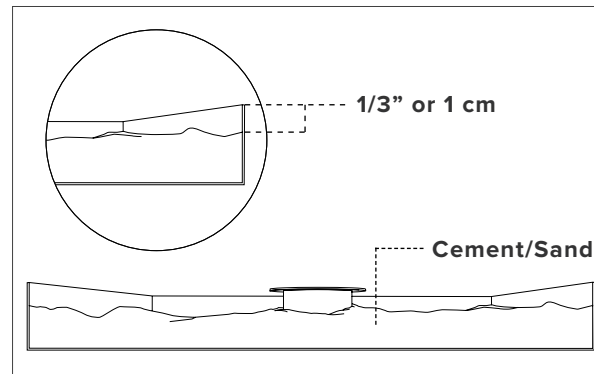


1 Check Items

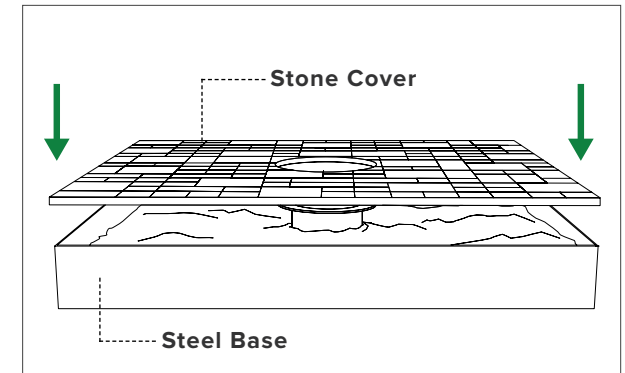
Upon receiving your order, open the crate and inspect the content. Damages must be reported within 24 hours.



2 Prepare the base

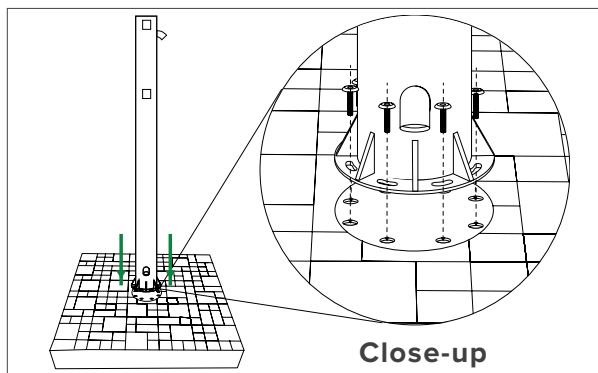
Remove the top plate from the base. Then fill the base with sand, rocks, cement or concrete up to 1/2" or 1/3" from the top. Do not completely fill the base.

Note: (Bottom has openings for rain to drain.)



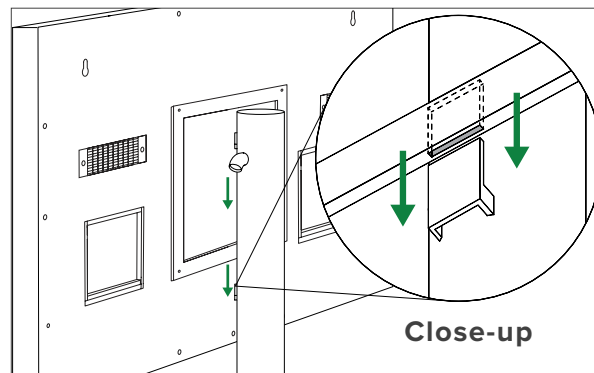
3 Cover

Wait for the cement to dry before placing the cover on the base.



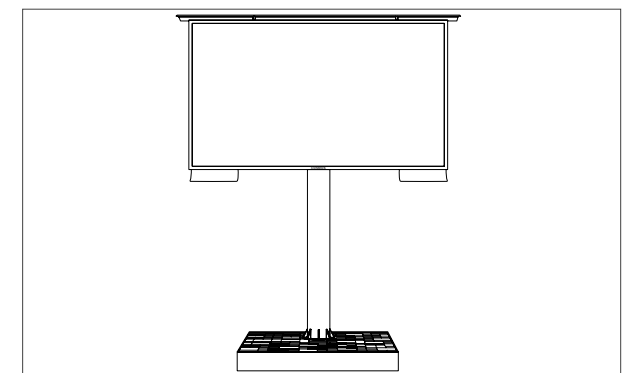
4 Assemble

Position the mounting pole on top of the base then attach them together with screws.



5 Attach the TV to the mount

Lift the TV and attach the VESA bracket on the mount by lowering the two square holes on both the top and the bottom portion of the VESA to



6 Finished

Done. Your TV is ready to Use.