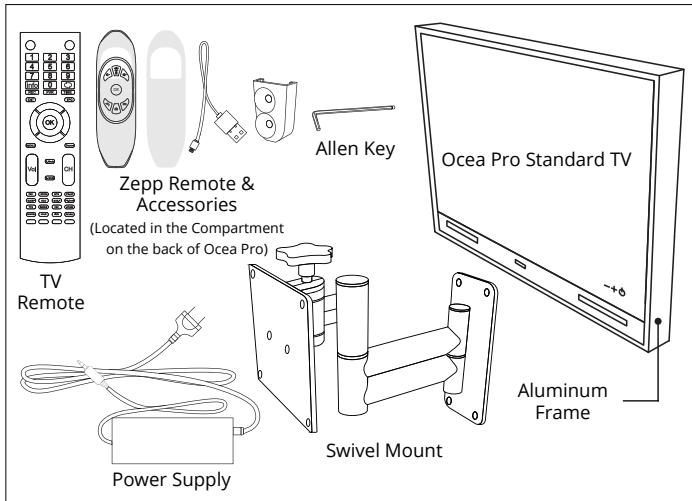
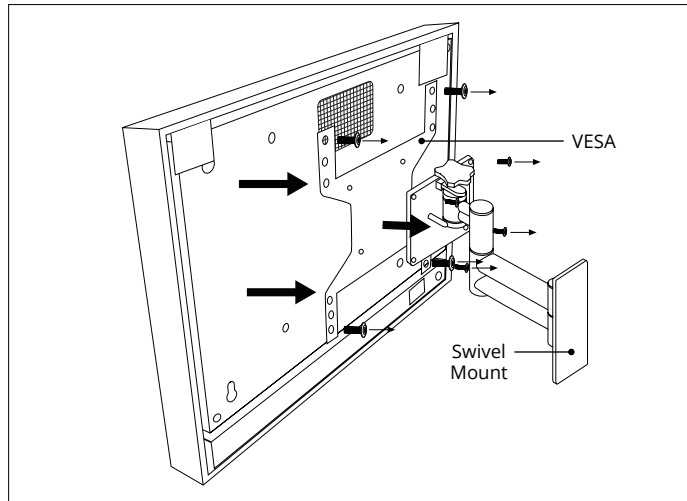


Ocea Pro Swivel Mount - Installation Manual



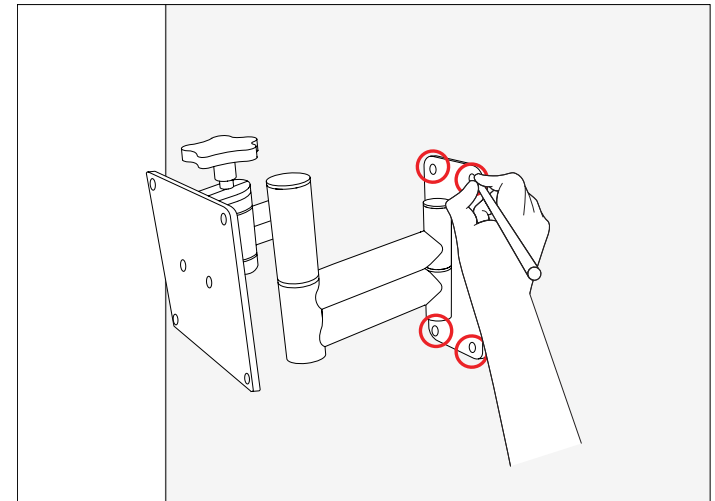
1 Check the Items

Upon receiving your order, open the crate and inspect the contents. **Damages must be reported within 24 hours.**



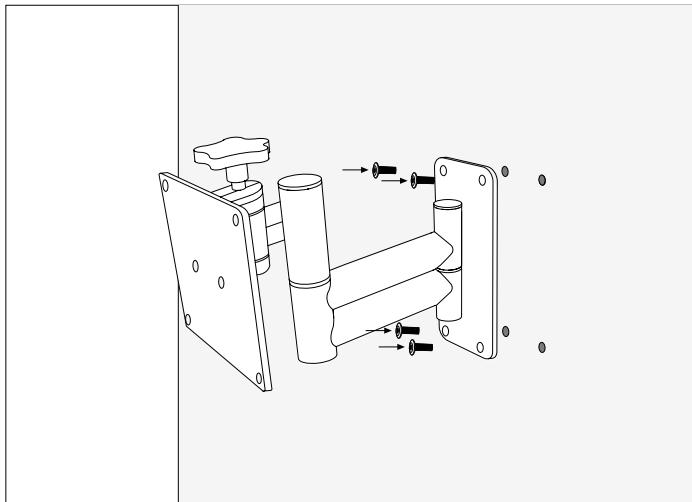
2 Remove the Swivel and the VESA

Using a screwdriver, remove the swivel mount and VESA bracket that are attached to your TV.



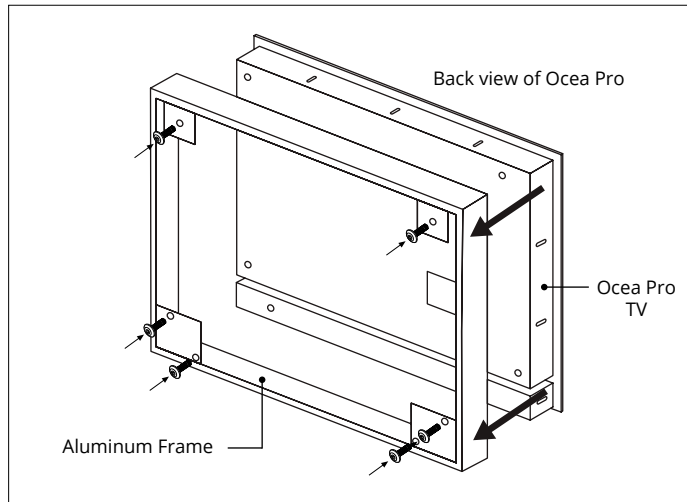
3 Mark the Holes

Place the swivel mount against the wall and mark where your screws should be. Then drill holes into the marked areas.



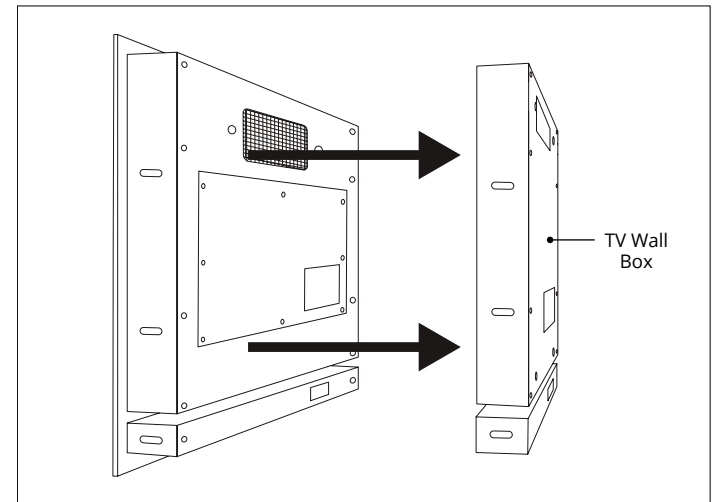
4 Attach the Bracket to the Wall

Screw the swivel mount onto the wall.



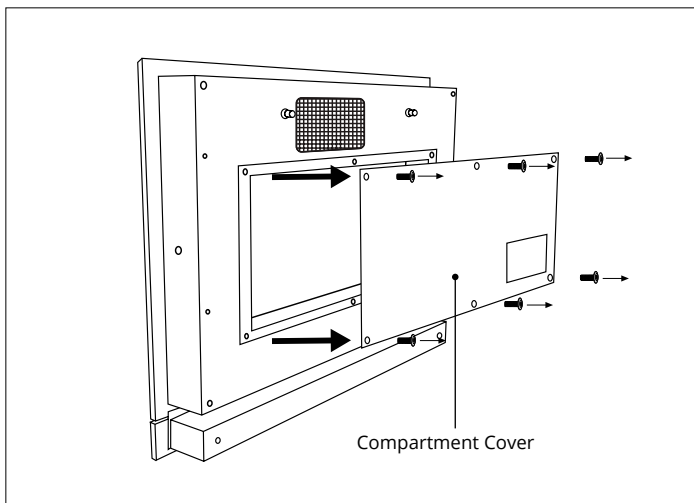
5 Remove the Aluminum Frame

Using an allen key, remove the aluminum frame attached on the TV.

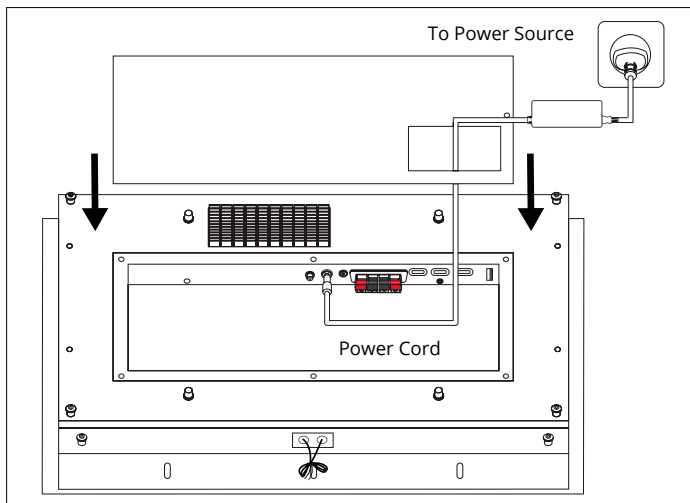


6 Remove the TV Wall Box

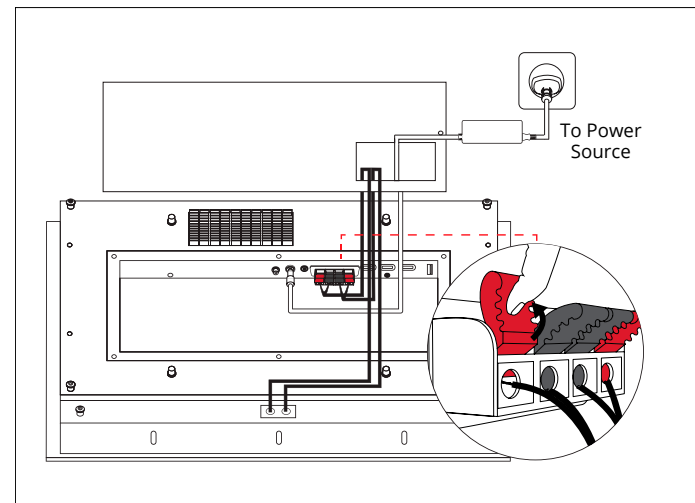
Remove the TV wall box attached at the back.



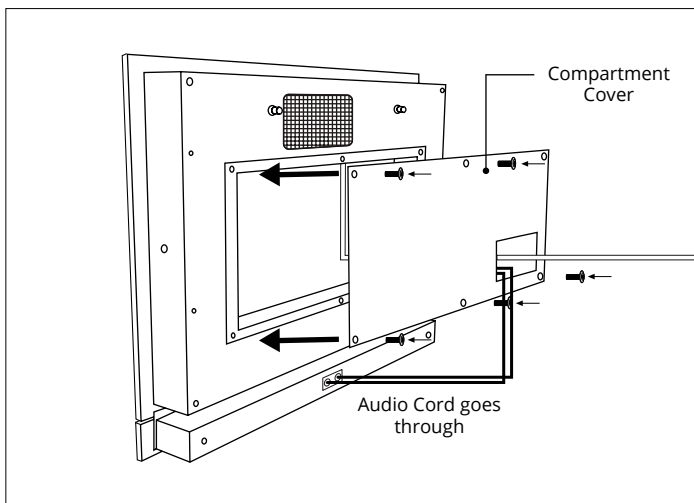
7 Remove the Compartment Cover
Use a screwdriver to remove the compartment cover located at the back of the TV.



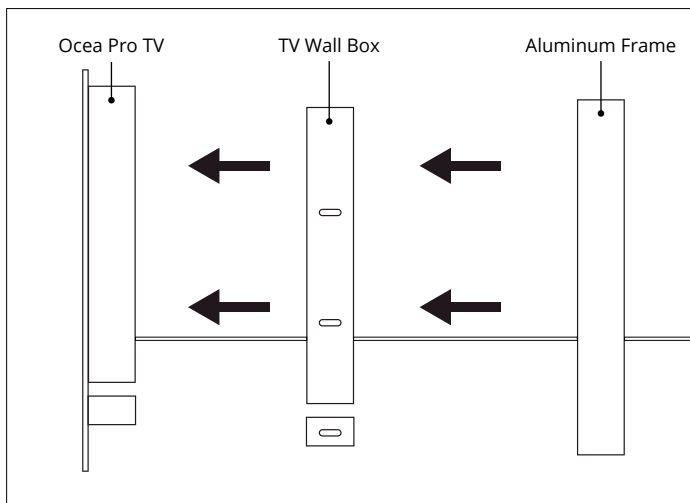
8 Plug the Power Cord
Insert the power cord through the opening of the compartment cover. Then plug it to the power input port located at the back of the TV.



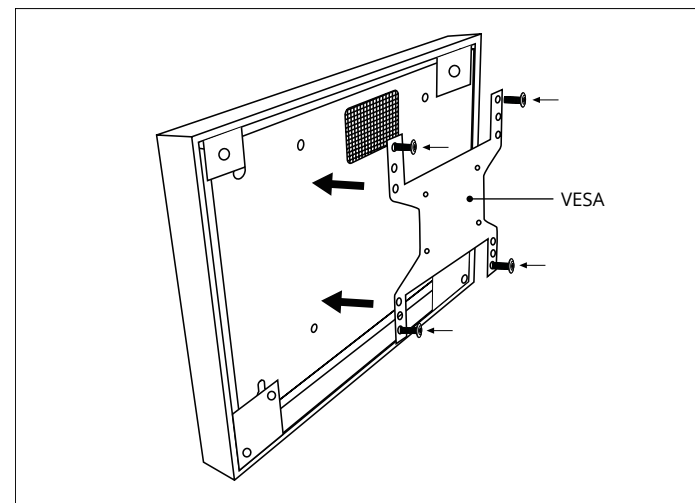
9 Connect the Audio Cords
Insert one end of the stripped audio cord into the red clip and insert the other end of the cord into the black clip. Then do the same for the other stripped audio cord.



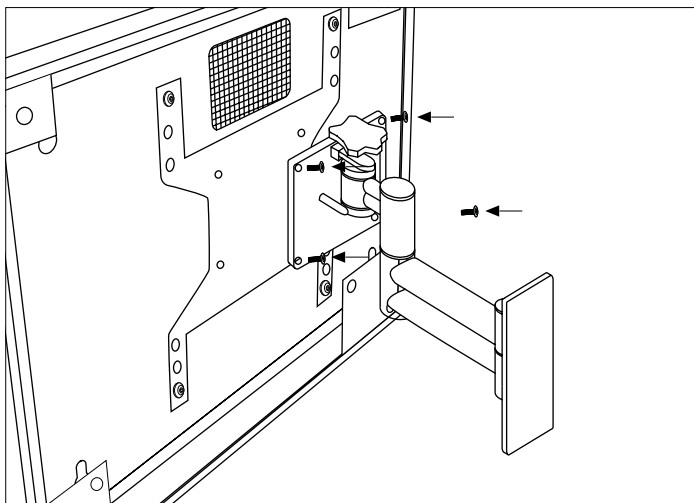
10 Cover the compartment
Re-attach the compartment cover. Tighten the surrounding screws to make sure that they don't fall during the rest of the installation process.



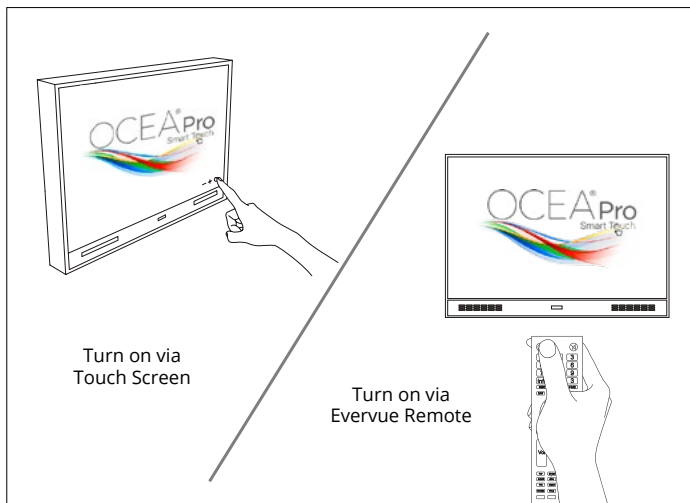
11 Re-attach the TV Wall Box and the Frame
Slide the TV back into the TV wall box. Then place the aluminum frame around the TV and tighten its allen screws back in place.



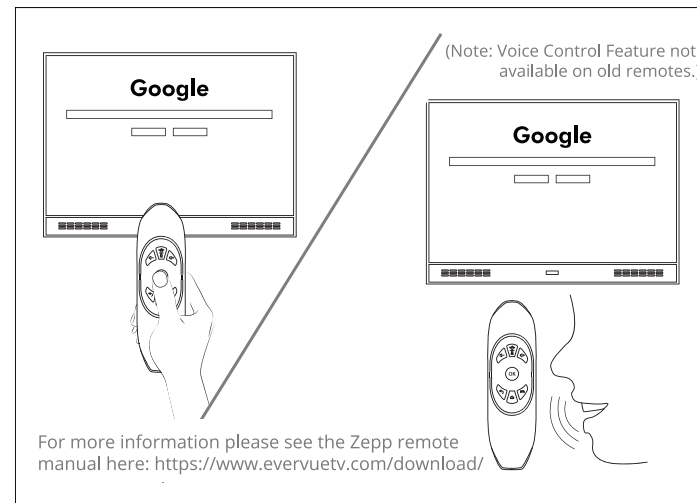
12 Re-attach the VESA Bracket
Screw the VESA bracket back in its original place.



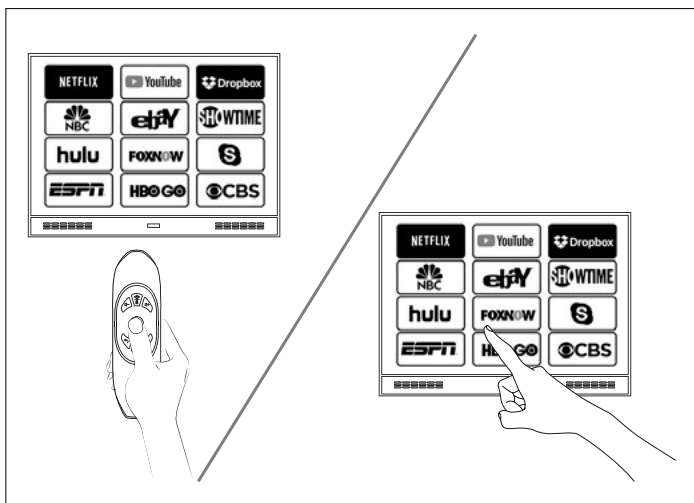
13 Re-attach the Swivel Mount
Screw the swivel mount at the back of your TV.



14 Turn on Ocea Pro TV
You can either turn your Ocea Pro TV on by simply touching the power icon on the screen or by clicking the power button on your Evervue remote.



15 Control your TV
On the Zepp remote included in the package, press the mic/mouse button for 5 seconds to turn the remote on. You can either use the remote as a mouse to control the cursor on the screen (old remotes) or use the voice command with the built-in microphone in the remote (new remotes).



16 Personalize your Ocea Pro
Your Ocea Pro is ready. Use the Touch screen or the Zepp remote to navigate the TV, install and manage apps, and personalize your Ocea Pro.