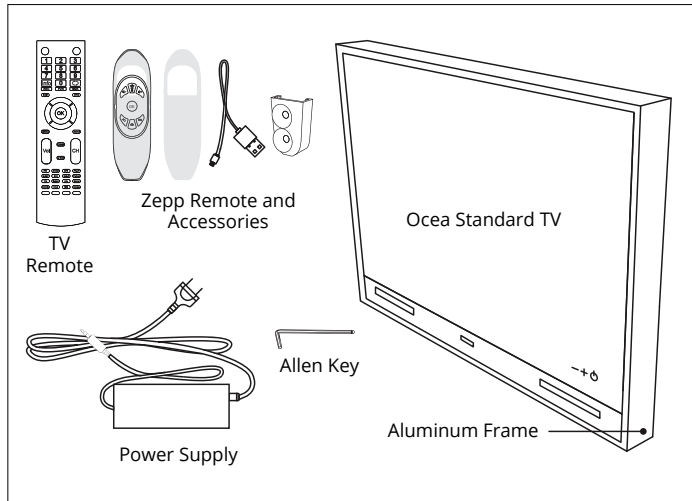
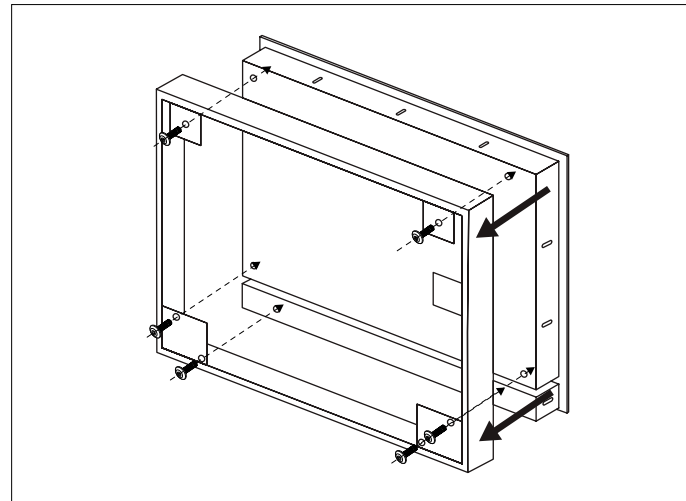


# Ocea Hang on the Wall — Installation Manual



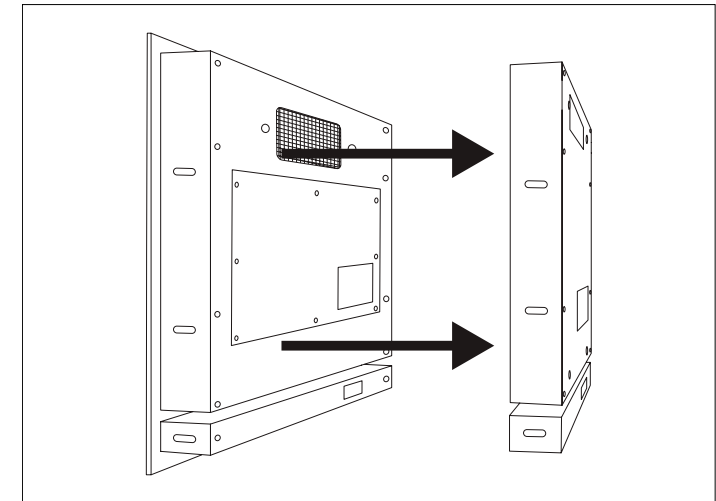
## 1 Check the Items

Upon receiving your order, open the crate and inspect the contents. **Damages must be reported within 24 hours.**



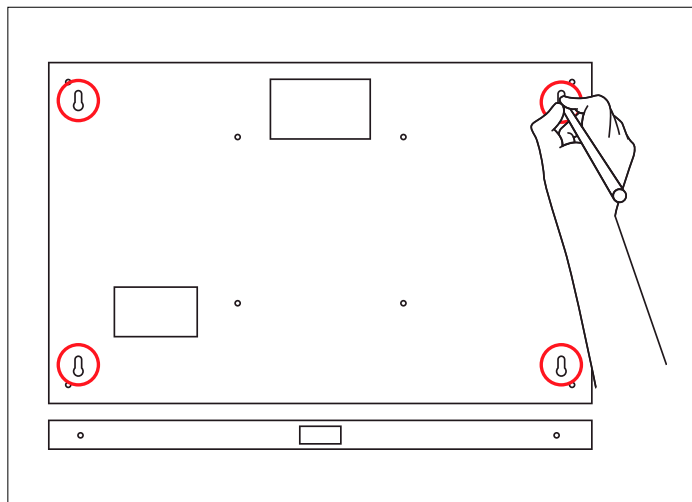
## 2 Remove the Aluminum Frame

Using an allen key, remove the aluminum frame attached on the TV.



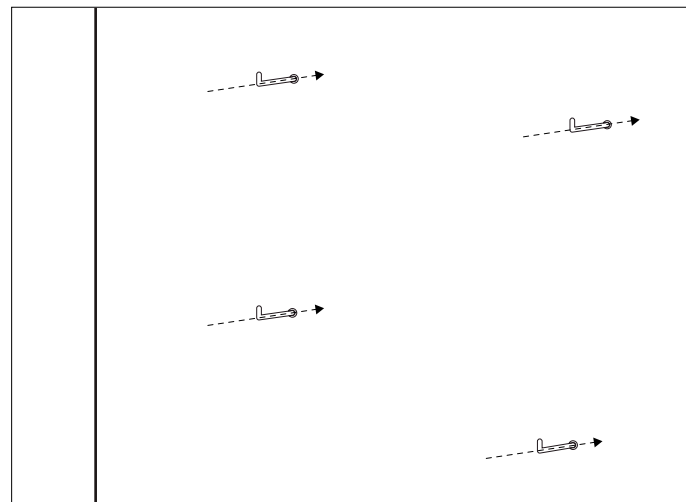
## 3 Remove the TV Wall Box

Remove the TV wall box attached at the back.



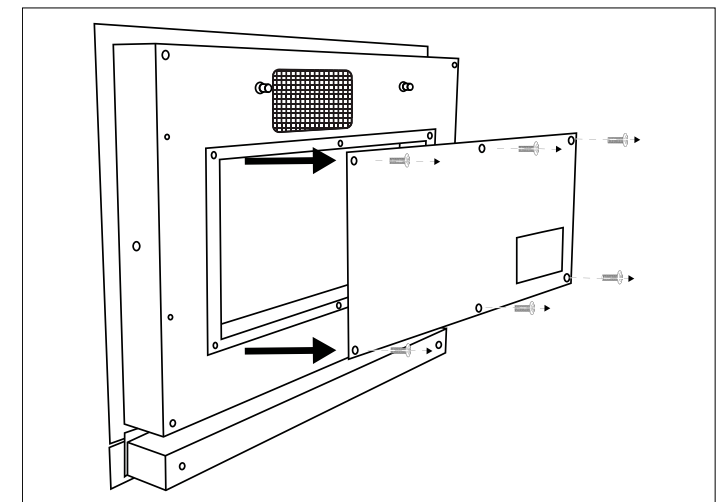
## 4 Mark the Holes

Place your TV wall box against the wall and mark the holes where your hooks will be drilled.



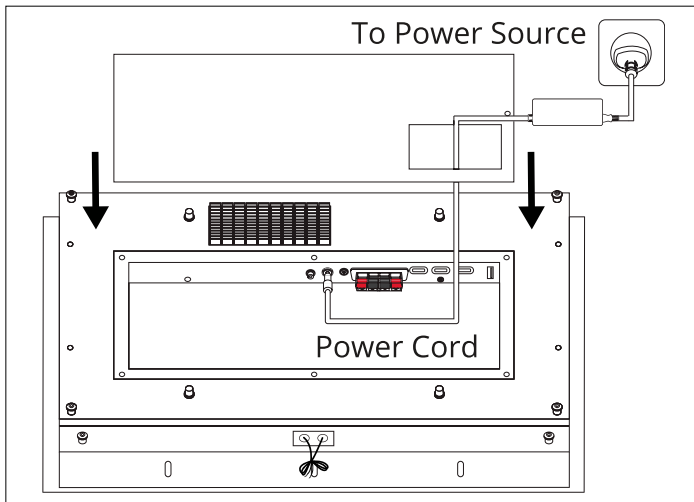
## 5 Attach the Hooks

Drill into the holes you marked on the wall. Insert a strong hook in all of them.

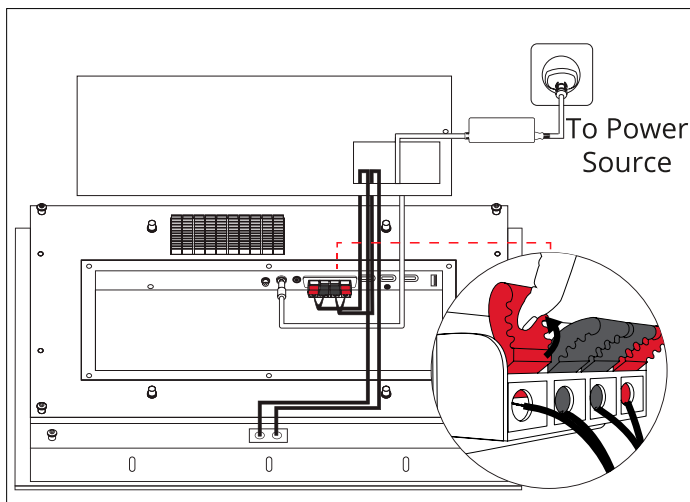


## 6 Remove the Compartment Cover

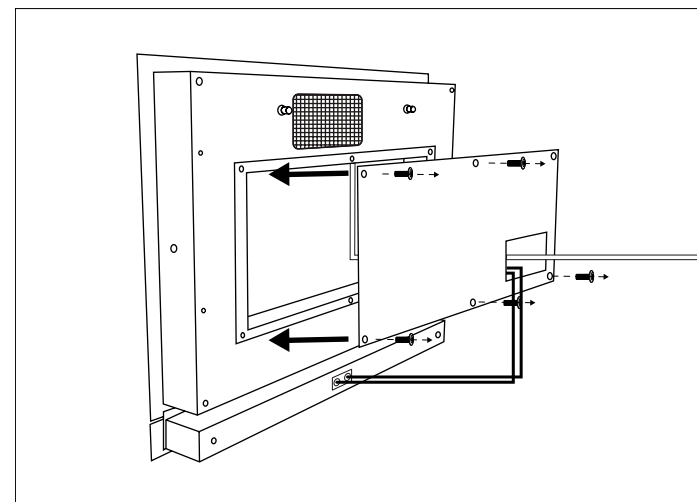
Use a screwdriver to remove the compartment cover located at the back of the TV.



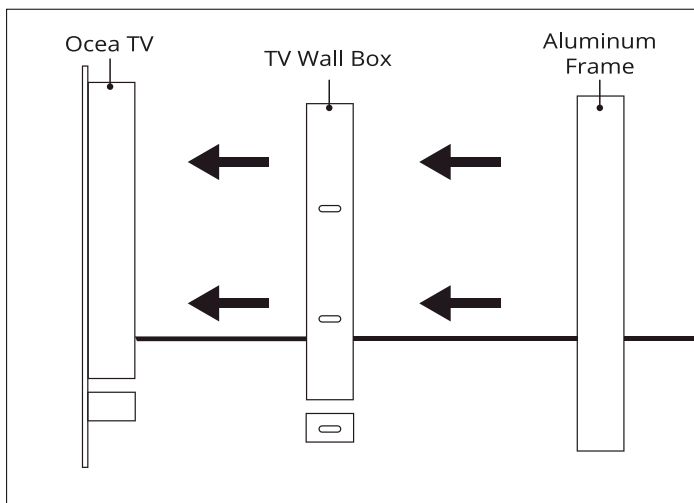
**7 Plug the Power Cord**  
 Insert the power cord through the opening of the compartment cover. Then plug it to the power input port located at the back of the TV.



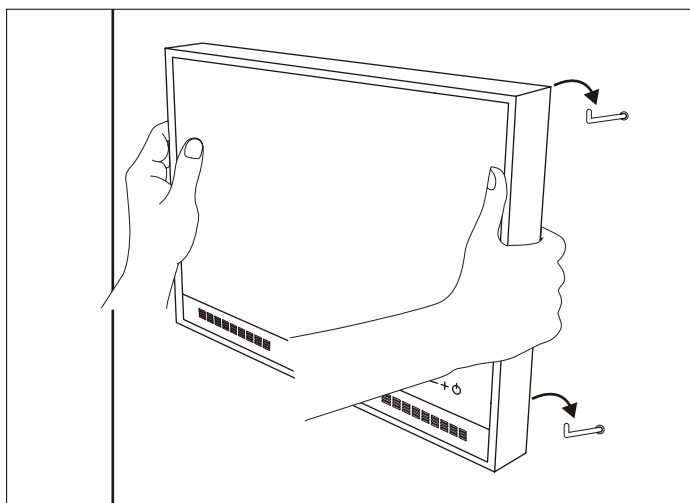
**8 Connect the Audio Cords**  
 Insert one end of the stripped audio cord into the red clip and insert the other end of the cord into the black clip. Then do the same for the other stripped audio cord.



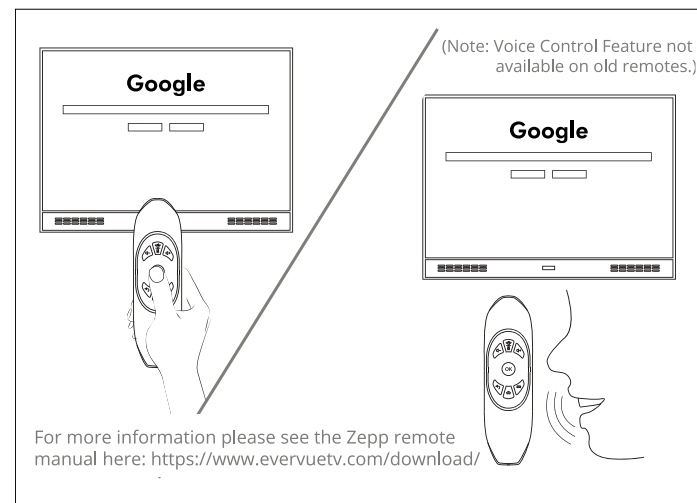
**9 Cover the Compartment**  
 Re-attach the compartment cover. Tighten the surrounding screws to make sure that they don't fall during the rest of the installation process.



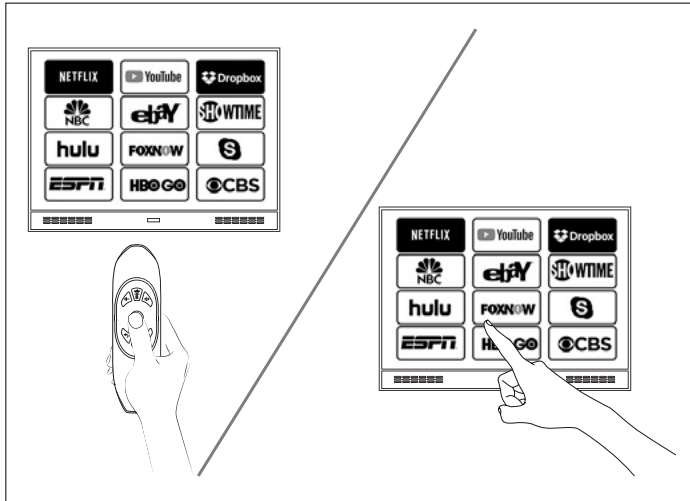
**10 Re-Attach The TV Wall Box And The Frame**  
 Slide the TV back into the TV wall box. Then place the aluminum frame around the TV and tighten its allen screws back in place.



**11 Hang the TV To The Wall**  
 Lift the TV and hang it to the four hooks you attached on the wall.



**12 Control Your TV**  
 On the Zepp remote included in the package, press the mic/mouse button for 5 seconds to turn the remote on. You can either use the remote as a mouse to control the cursor on the screen (old remotes) or use the voice command with the built-in microphone in the remote (new remotes).



## 13 Personalize your Ocea

Your Ocea is ready. Use the Touch screen or the Zepp remote to navigate the TV, install and manage apps, and personalize your Ocea.