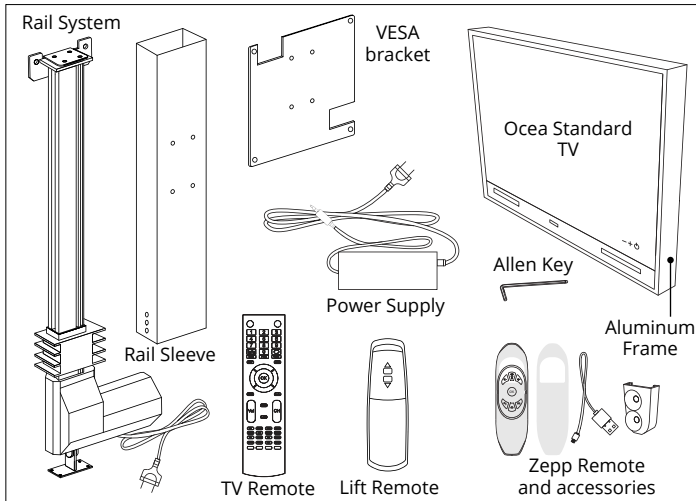
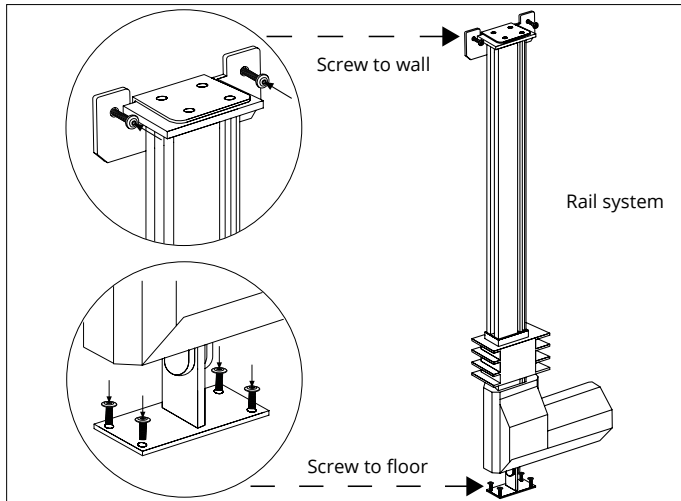


Ocea Lift TV System for Ocea 220 and 280 - Installation Manual



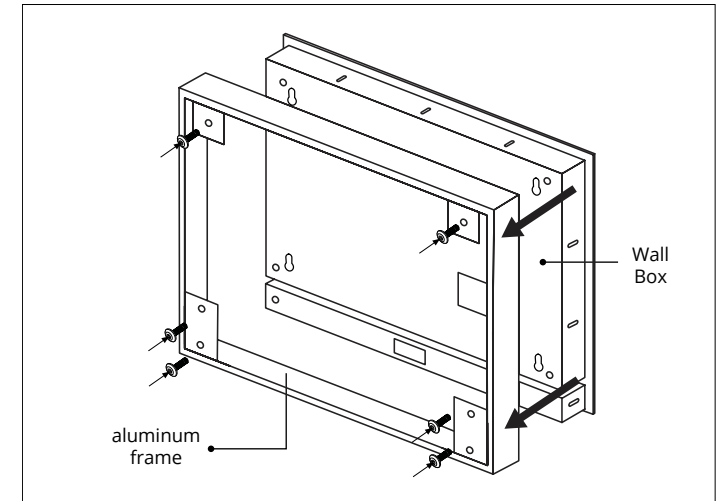
1 Check the Items

Upon receiving your order, open the crate and inspect the contents. **Damages must be reported within 24 hours.**



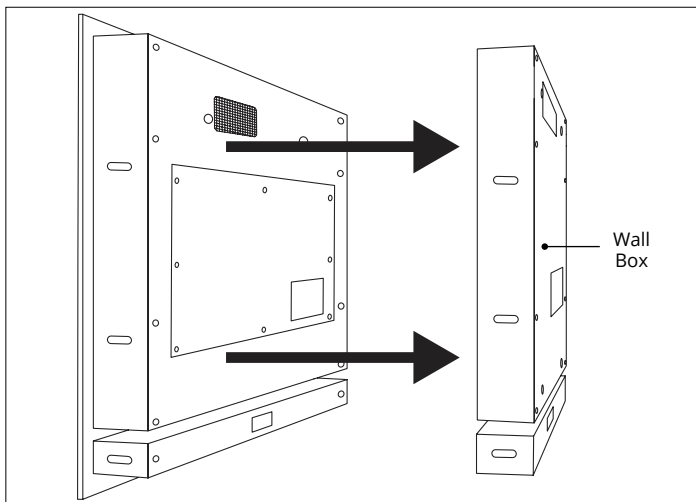
2 Mount the Rail System

Plan where your new TV will be located. Drill holes into floor and securely screw the base of the lift mount on it.



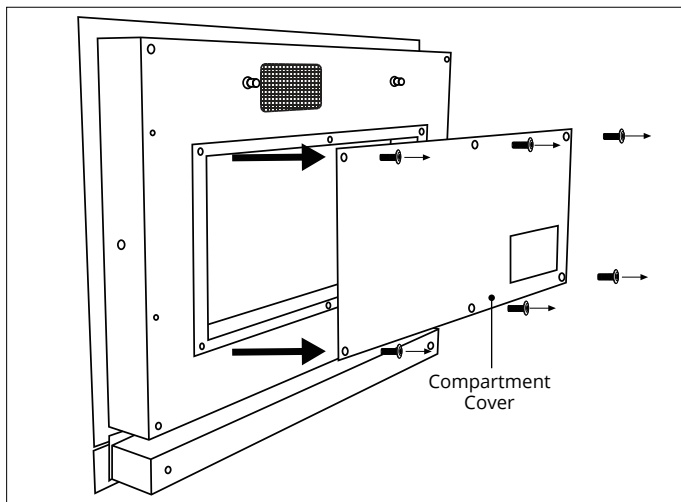
3 Remove the Aluminum Frame of the TV

Using an allen key, remove the aluminum frame attached on the TV.



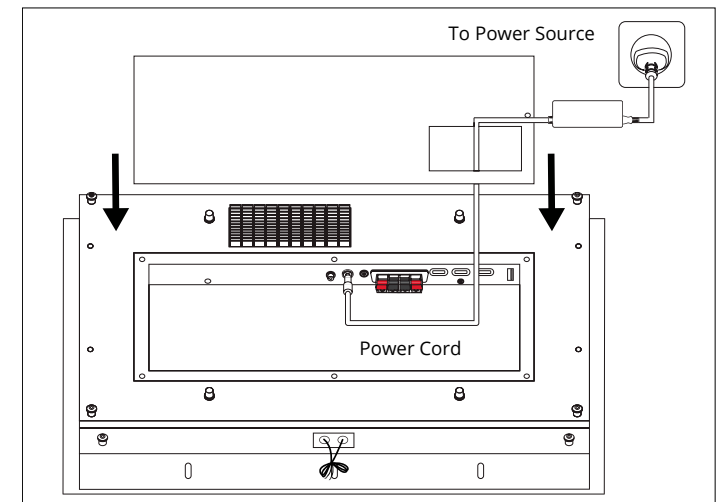
4 Remove the TV Wall Box

Remove the TV wall box attached at the back.



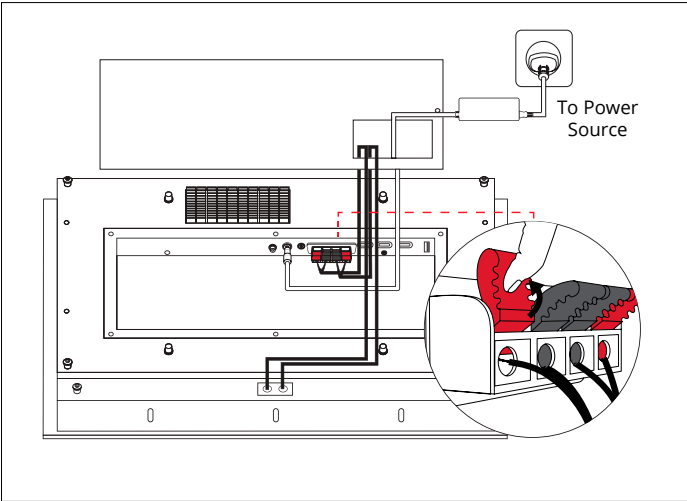
5 Remove the Compartment Cover

Use a screwdriver to remove the compartment cover located at the back of the TV.

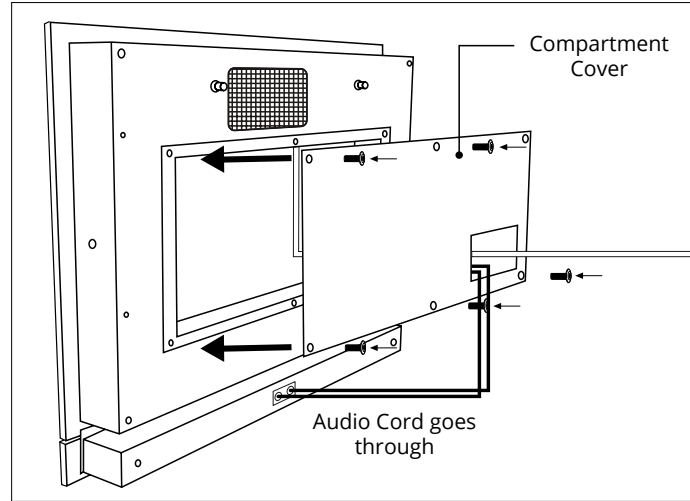


6 Plug the Power Cord

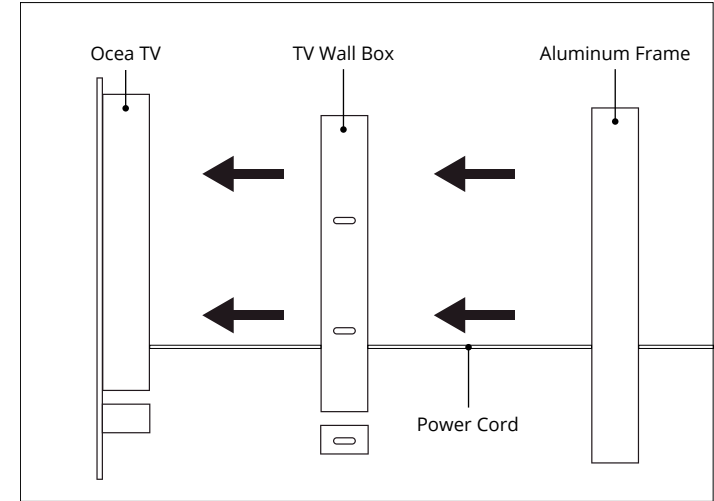
Insert the power cord through the opening of the compartment cover. Then plug it to the power input port located at the back of the TV.



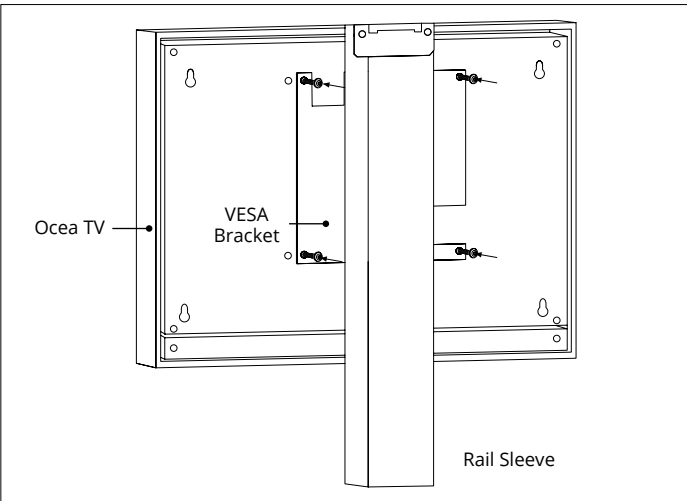
7 Connect the Audio Cords
 Insert one end of the stripped audio cord into the red clip and insert the other end of the cord into the black clip. Then do the same for the other stripped audio cord.



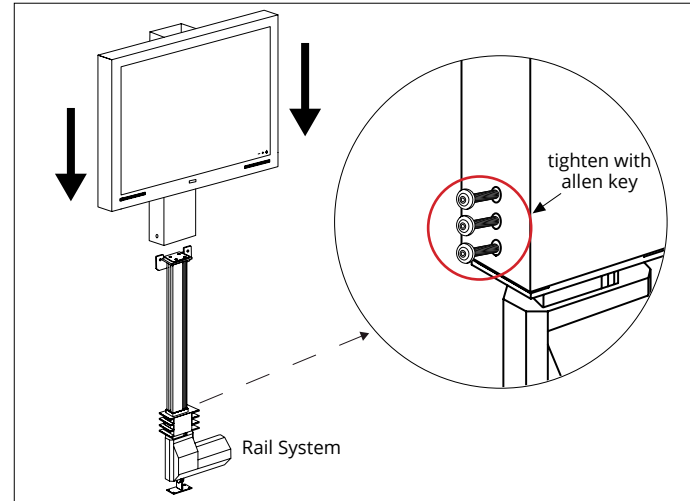
8 Cover the compartment
 Re-attach the compartment cover. Tighten the surrounding screws to make sure that they don't fall during the rest of the installation process.



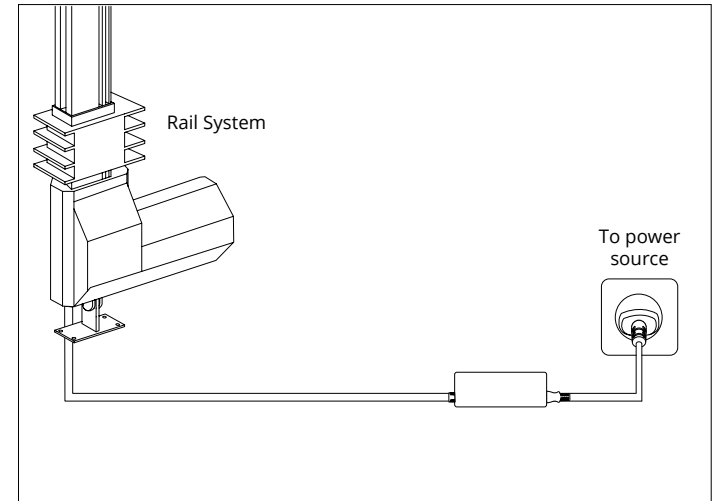
9 Re-attach the TV Wall Box and the Frame
 Slide the TV back into the TV wall box. Then place the aluminum frame around the TV and tighten its allen screws back in place.



10 Attach the TV to the VESA Bracket
 Screw the TV to the VESA bracket.

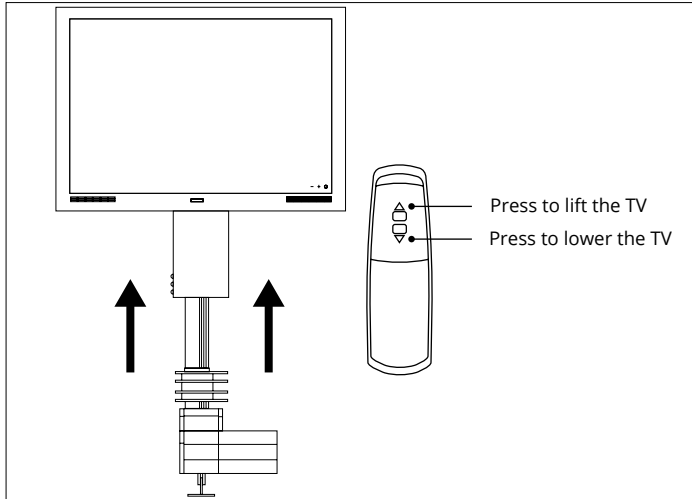


11 Insert the rail sleeve to the mount
 Slide the rail sleeve to the rail system. Then, using the allen key, tighten the screws on the bottom as seen above.



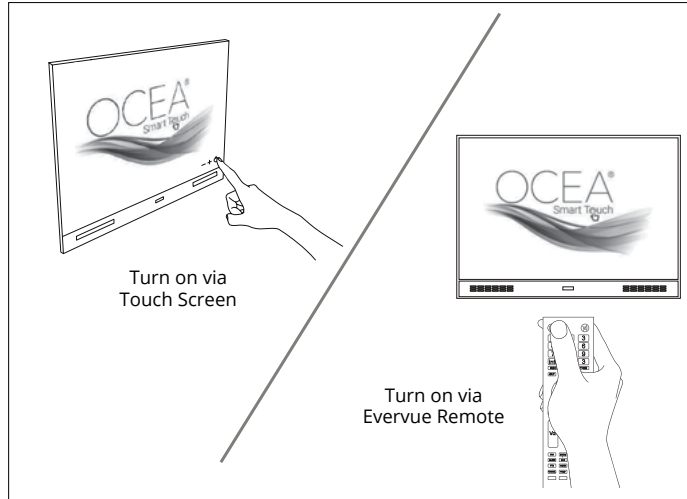
12 Plug to Power Source
 Plug the rail system to a power source.

Ocea Lift TV System for Ocea 220 and 280 - Installation Manual



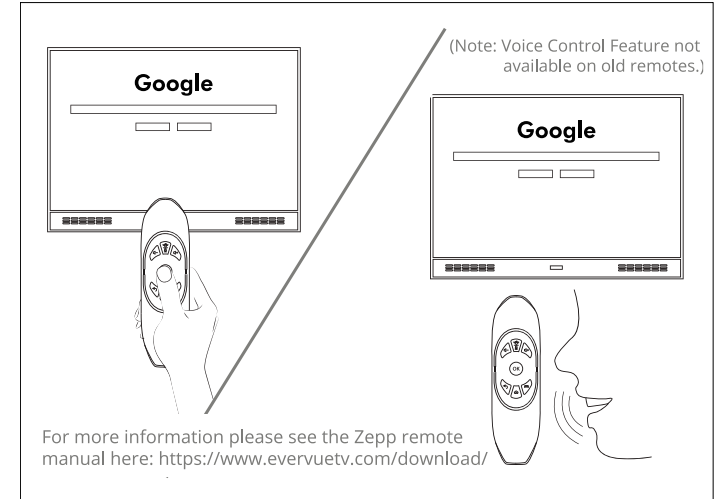
13 Test the Lift Mount

Using the lift remote provided in the package, control your mount to raise your TV up or lower it down.



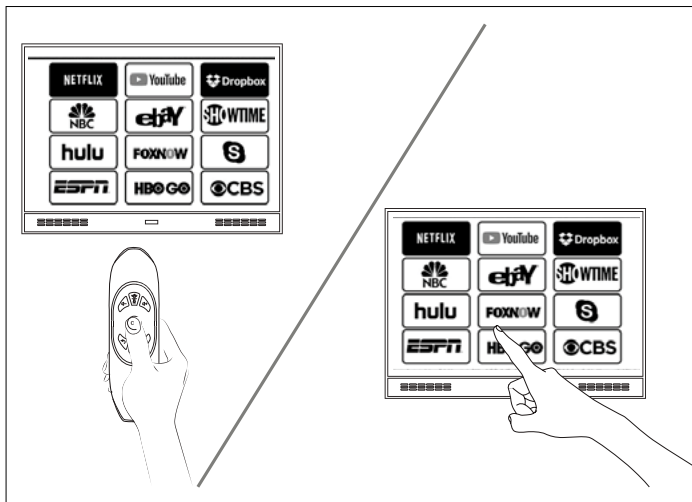
14 Turn on Ocea TV

You can either turn your Ocea TV on by simply touching the power icon on the screen or by clicking the power button on your Evervue remote.



15 Control your TV

On the Zepp remote included in the package, press the mic/mouse button for 5 seconds to turn the remote on. You can either use the remote as a mouse to control the cursor on the screen (old remotes) or use the voice command with the built-in microphone in the remote (new remotes).



16 Personalize your Ocea

Your Ocea is ready. Use the Touch screen or the Zepp remote to navigate the TV, install and manage apps, and personalize your Ocea.