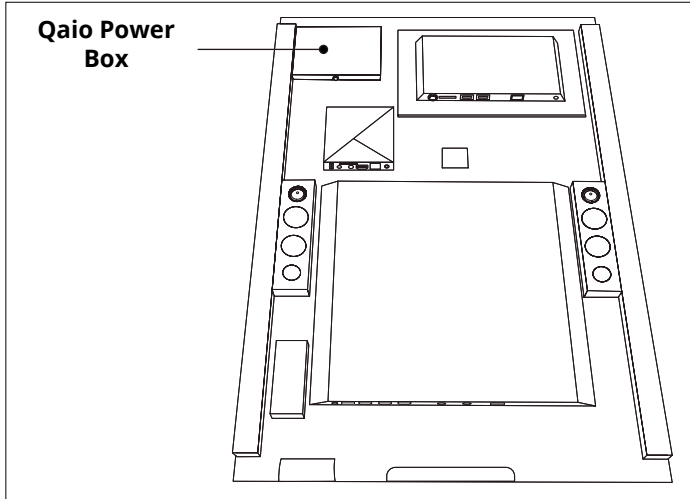
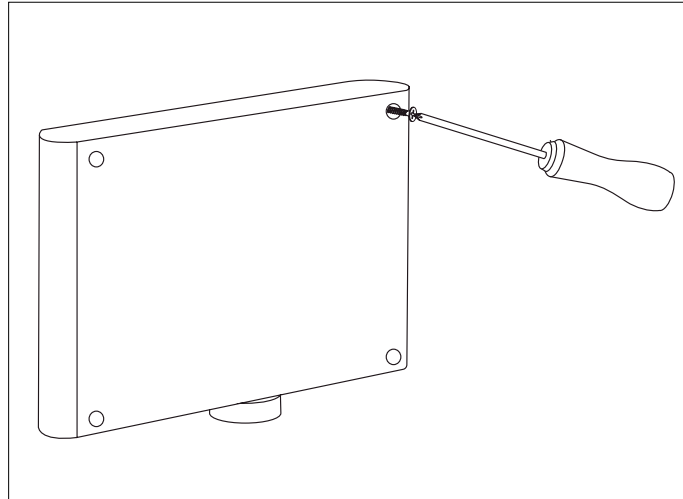


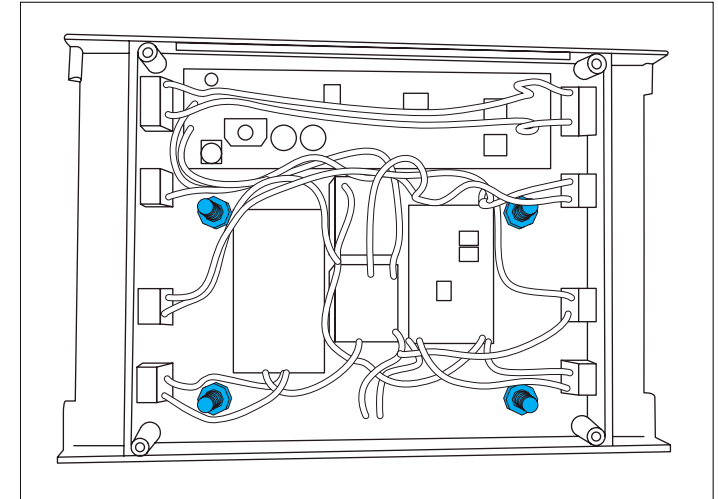
Qaio Mirror - How to adjust settings for the Nightlight



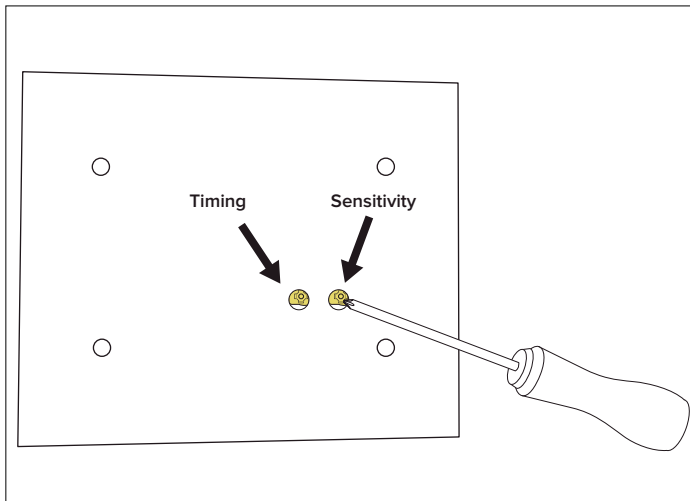
- 1 Take the box from the back of the mirror**
Find the Qaio power box on the top left corner at the back of the mirror.



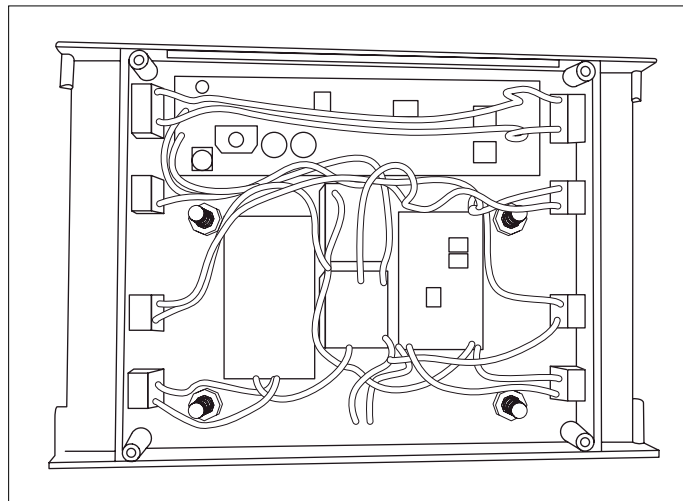
- 2 Remove the Cover of the Qaio Power Box**
Use a screw driver to remove the cover of the qaio power box.



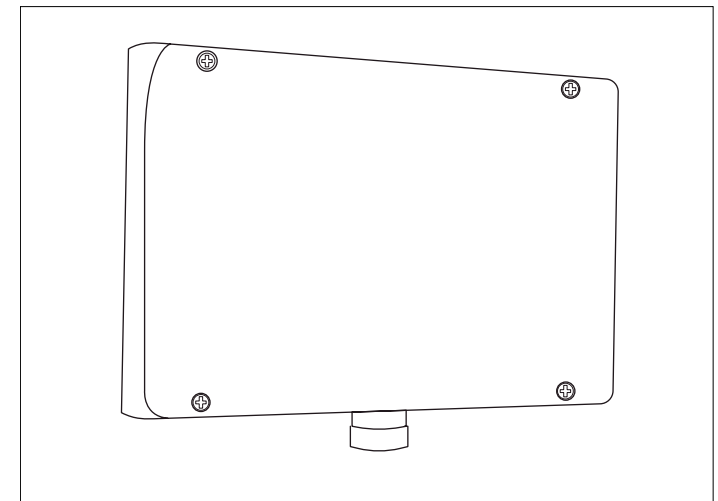
- 3 Remove the Screws**
Remove the inner box by unscrewing the bolts shaded in blue.



- 4 Adjust to Taste**
Flip the inner box. Using a screwdriver, twist the left adjustment screw to adjust the timing and the right for sensitivity.



- 5 Assemble the Power Box Back Together**
Put the inner box back to its case.



- 6 Done**
Cover the qaio power box up and securely tighten its screws.