

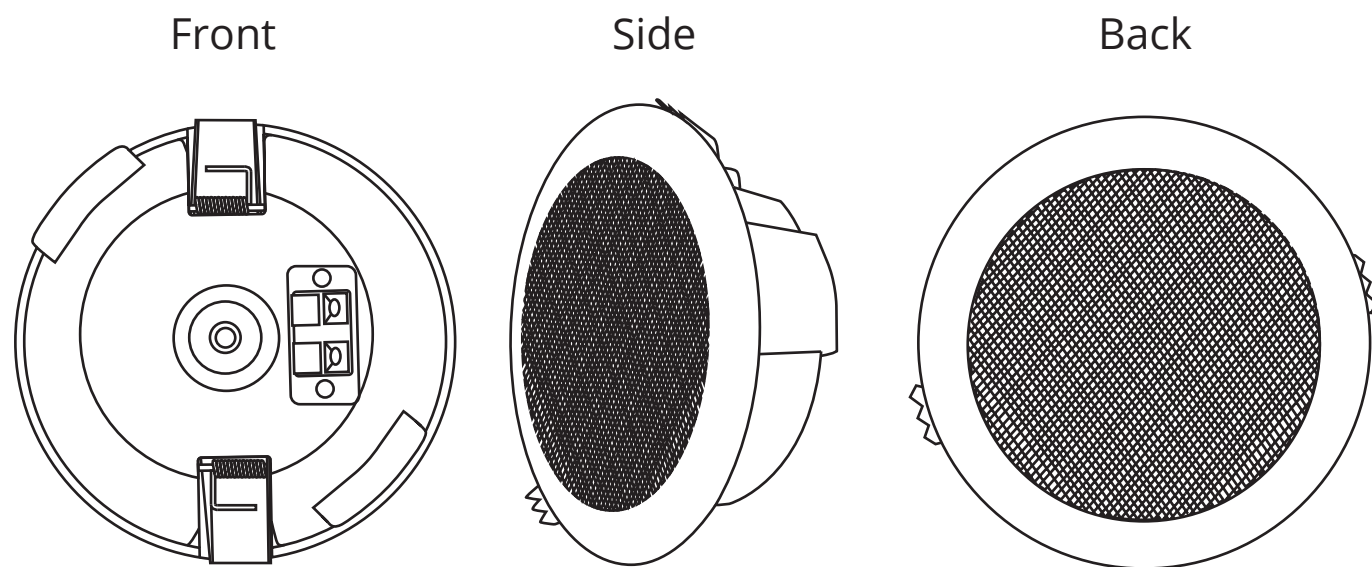
SW50 SPEAKER

INSTALLATION MANUAL

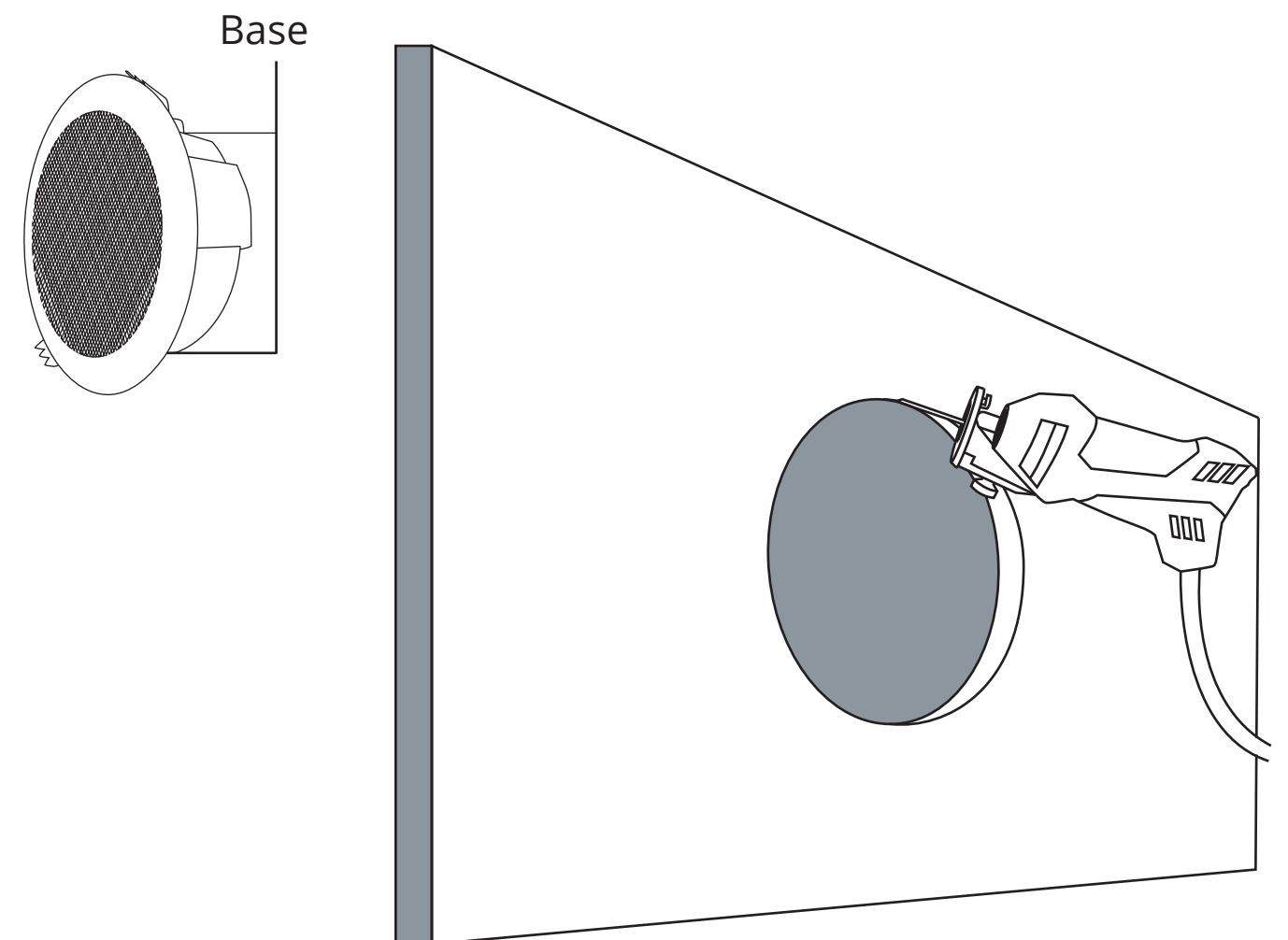


SOUNDWAVE

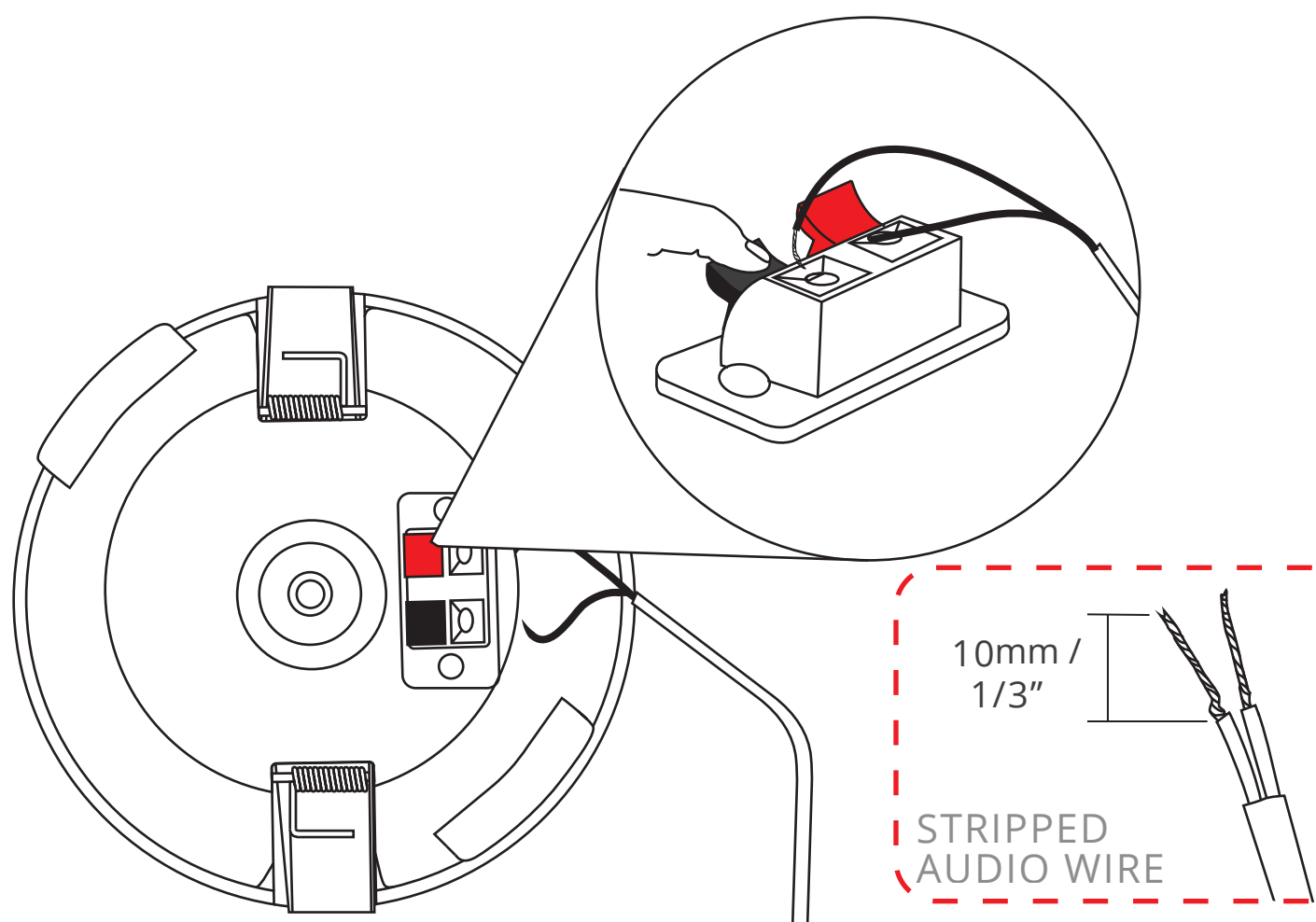
STEP 1 Inspect the item after receiving it to make sure there are no damages.



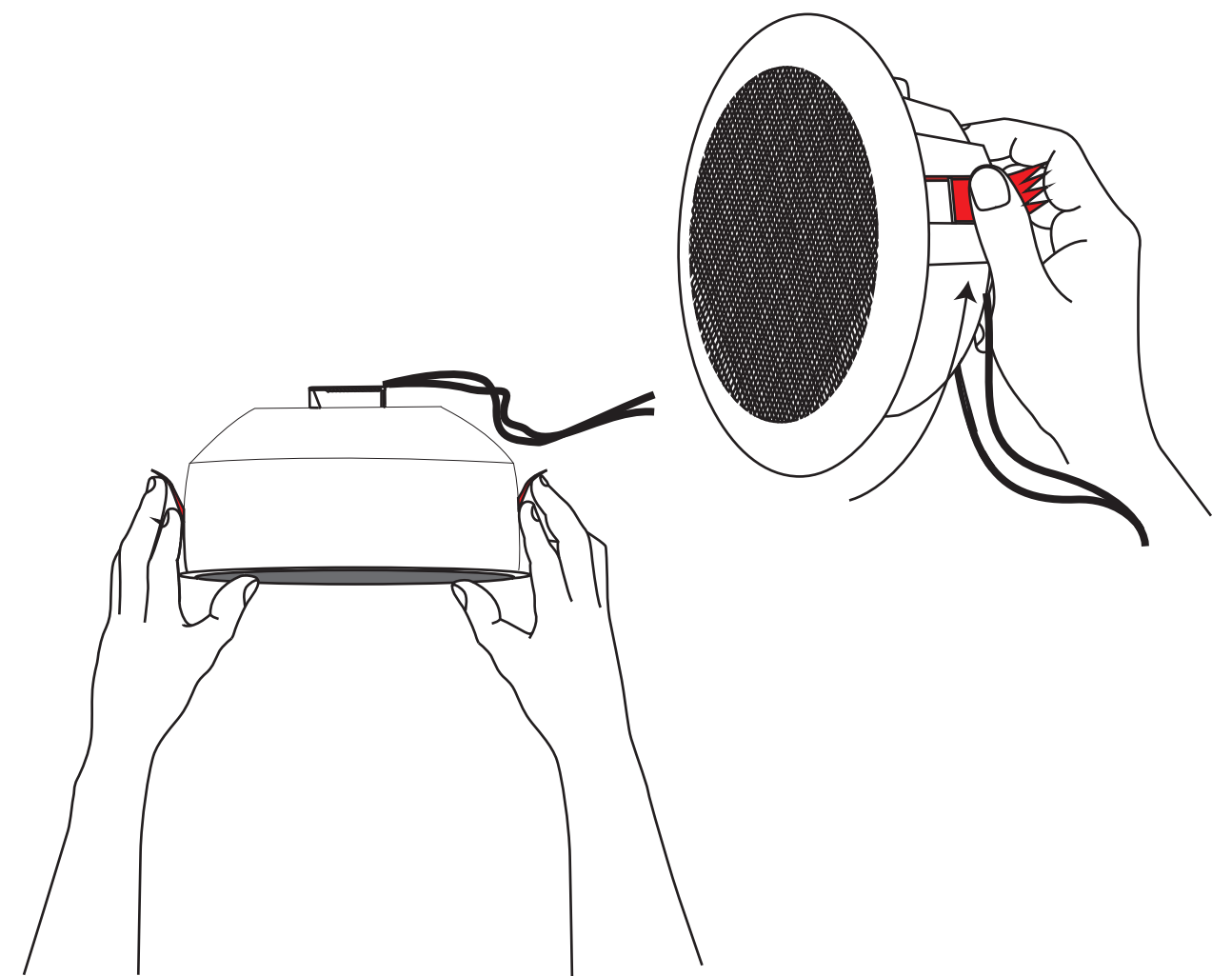
STEP 2 Cut an opening in the wall or ceiling where the speaker will be placed. Note that the size of the opening should be a little wider than the inner base of the speaker.



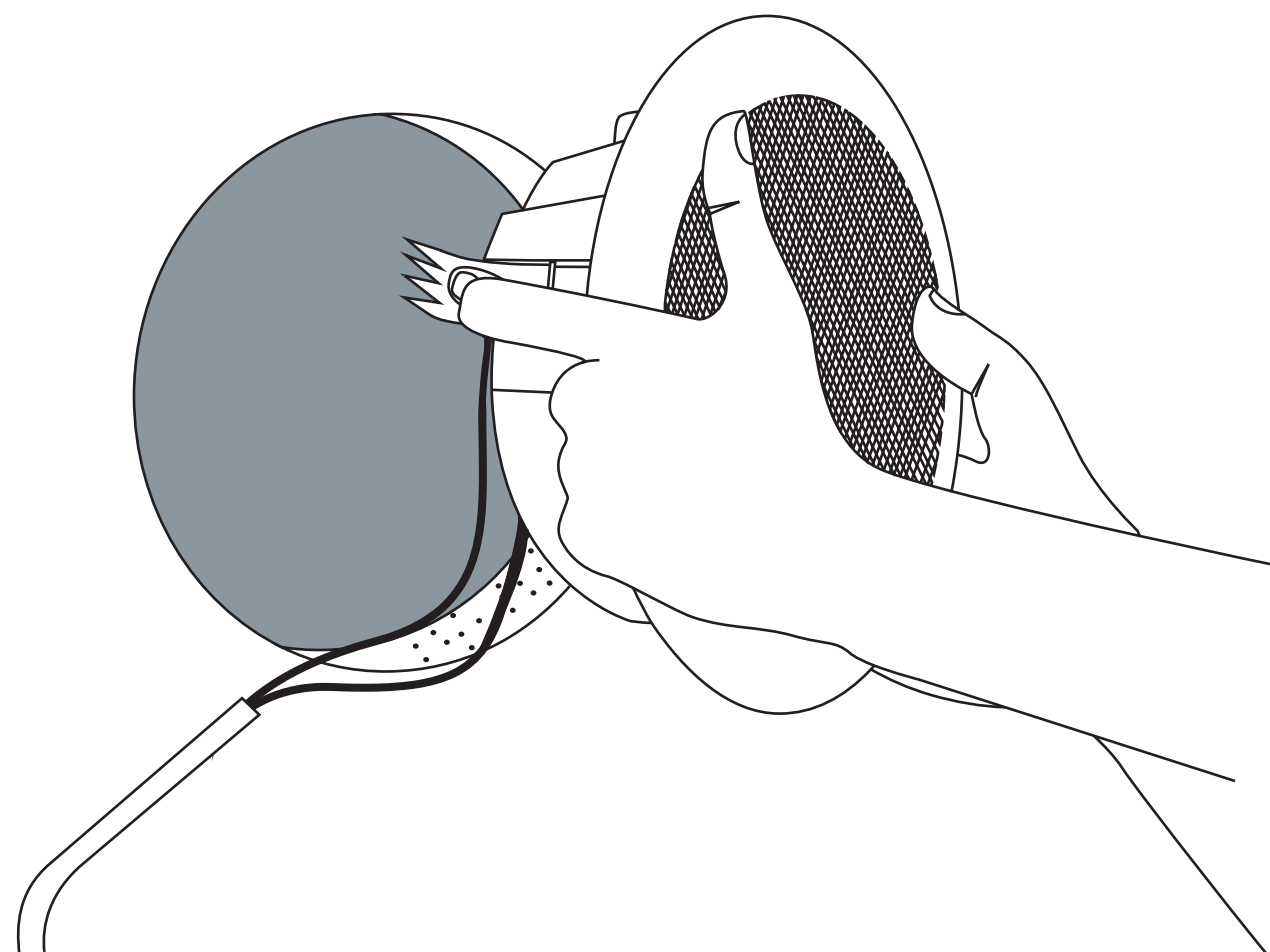
STEP 3 At the back of the speaker there is a red and black clip. Take your audio wires and strip them to about 10mm or 1/3 inch. Press the black clip and insert the stripped audio cord in the hole that would open up. Then do the same for the red clip.



STEP 4 Pull the clip on both sides of the speaker. This will hold the speaker in place.



STEP 5 Push the speaker through the opening you prepared.



STEP 6 Done!
Your SW50 speaker is ready to use.

