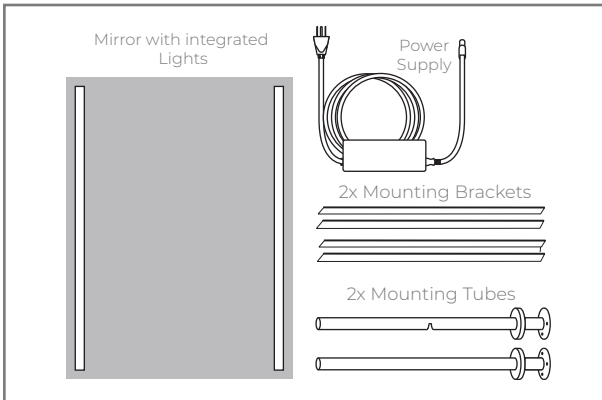


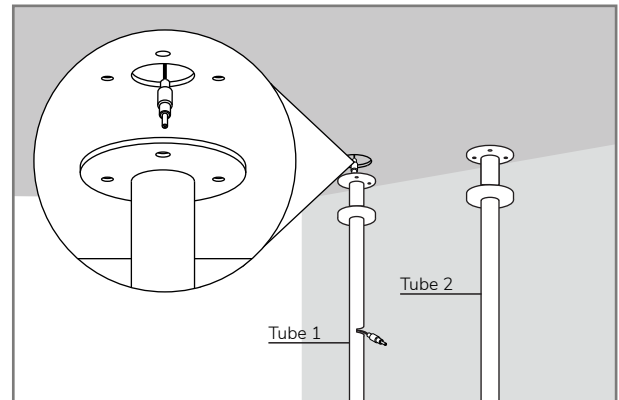
# STAINLESS STEEL BRACKET

## Installation Manual



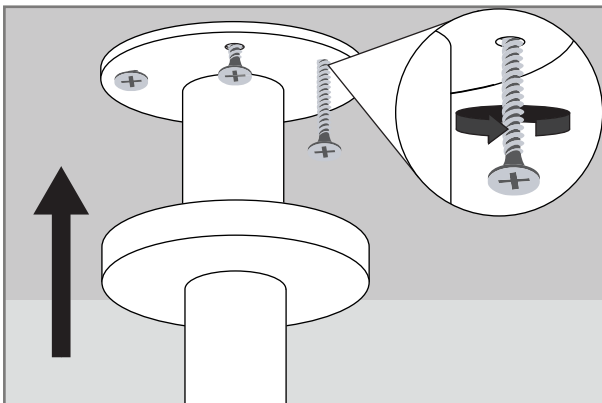
### 1 Check the items after receiving

Before installing, check to ensure that you have received all the package contents.



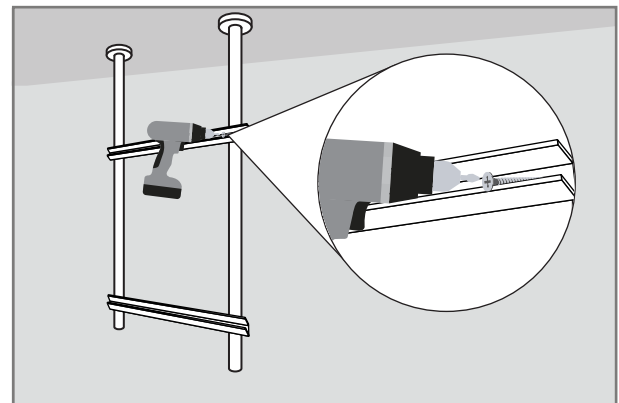
### 2 Place the tubes in position.

Insert the power plug into Tube 1 and take it out through the hole in the middle of the tube.



### 3 Screw the tubes to the ceiling.

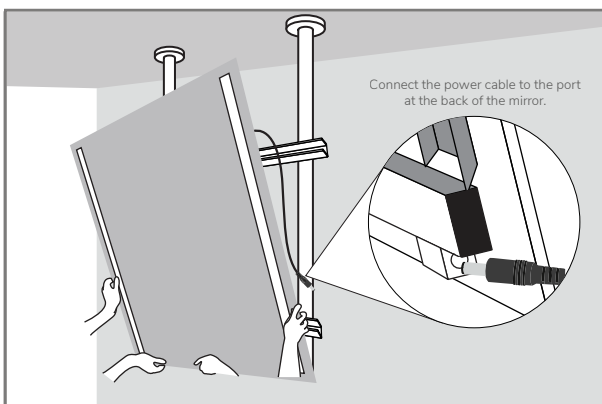
Screw the base of the tubes to the ceiling and then cover the base of the tube.



### 4 Screw the two brackets to the tubes.

Determine the type of screws or bolts needed to attach the brackets to the steel tubes. Use a Screw Gun to securely join them together.

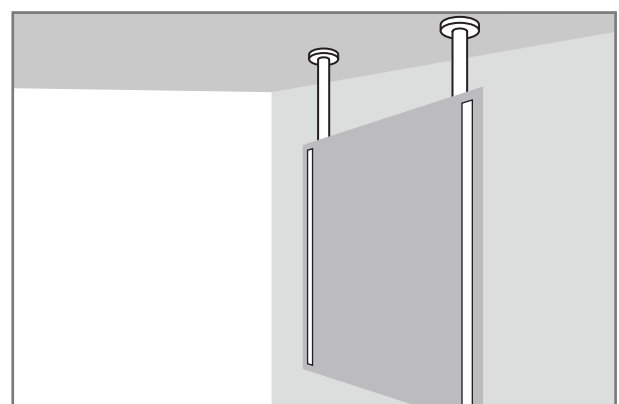
(Note: It is the installer's responsibility that all electrical, audio/visual, and framing construction is code compliant.)



### 5 Hang the mirror.

Connect the power supply to the port at the back of the mirror. Then securely engage the brackets at the back of the mirror to the ones on the steel tubes.

[Note: It is recommended that 2 or more people assist in the installation of this mirror.]



### 6 Finished.

Enjoy your new Integrated Lights Mirror(Stainless Steel Mount).